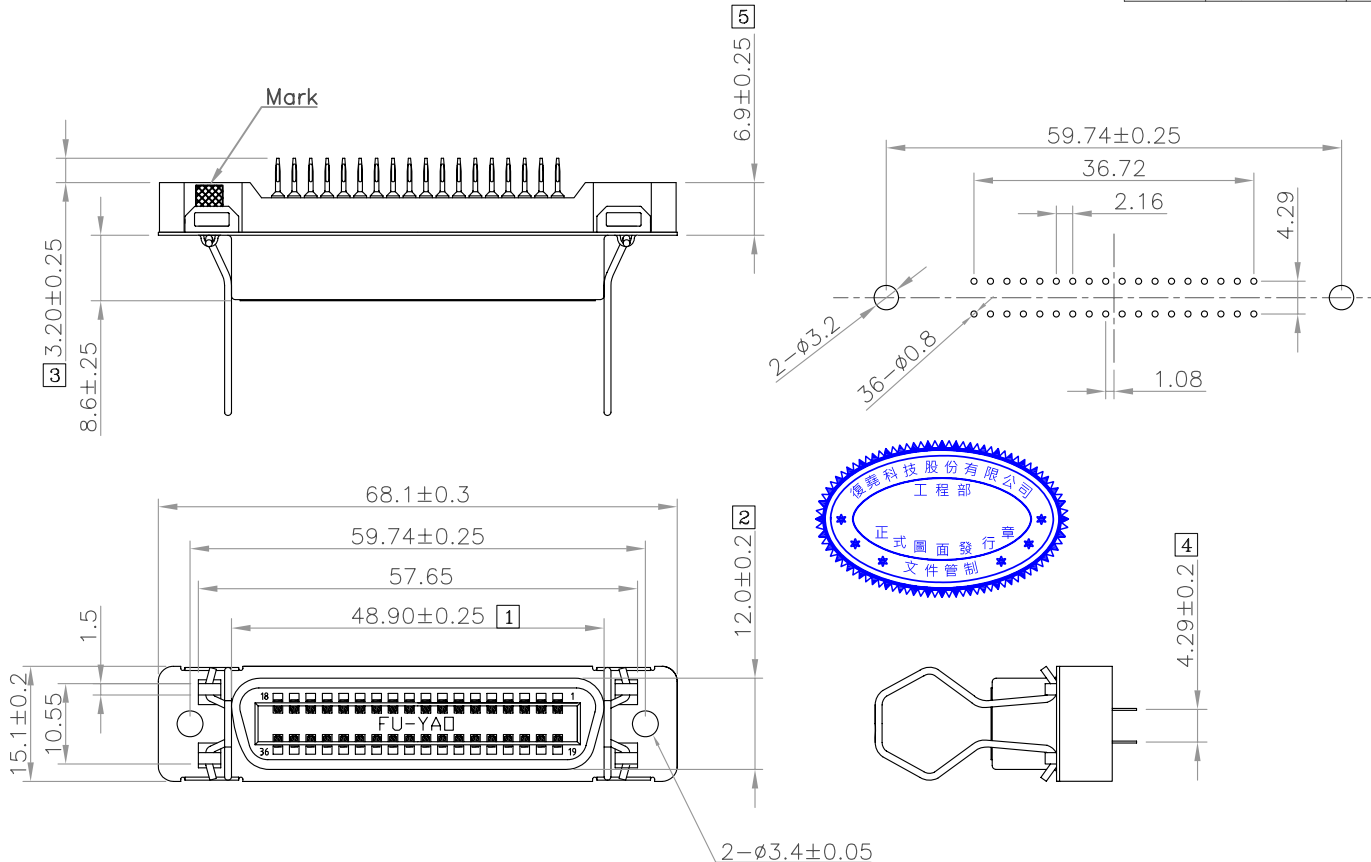


RoHS COMPLIANT

REV	DATE	DESCRIPTION
D	03/05/'21	Add Clearance Dimension (0.45 Max) x4

Apply: Alan



Material & Finish

SHELL:

Nickel plated Steel

PIN CONTACT:

Phosphor Bronze, Gold plated

INSULATOR:

PBT & Glass-fibre reinforced
UL-94-V0, Black

NUMBER OF CONTACT:

36

CURRENT RATING:

5 Amp

DIELECTRIC STRENGTH:

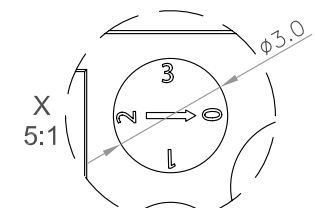
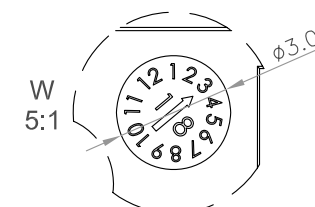
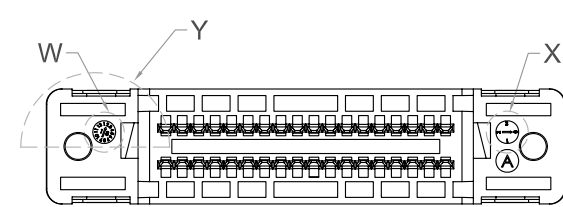
1000V for one minute

INSULATOR RESISTANCE:

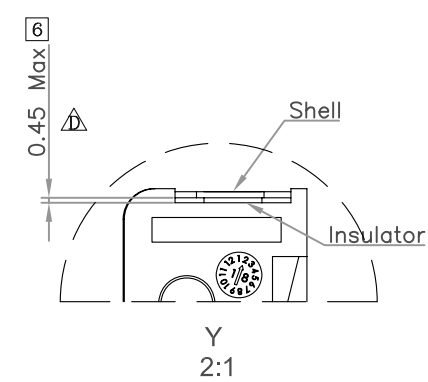
1000MΩ Min. (at 500V DC)

TEMPERATURE:

-55°C to +105°C



- 0 = 1~50000pcs
- 1 = 50001~100000pcs
- 2 = 100001~150000pcs
- 3 = 150001~200000pcs



5: 標準包裝
F: 指定包裝

FU-YAO TECHNOLOGY CO., LTD.
復堯科技股份有限公司

MODEL NAME:
CENTRONIC 36PIN PCB S/T TYPE
FEMALE LOCK SPRING LATCH

MARK EXPLAIN:
△:Revision Change
①:Important Dimension
①:Note

TOLERANCE:
0.00:
0.00 : ±0.20
0.0 : ±0.30
0. : ±0.40
ANGLE: ±3.0°
UNIT: mm

PART NO. RS6-36SKAAB5000

APPROVED BY: ALBERTA

CHECKED BY: EDEA

DRAW BY: ALAN

FILE NO. FIG00869-5

SCALE: 1/1

DATE: 1020129