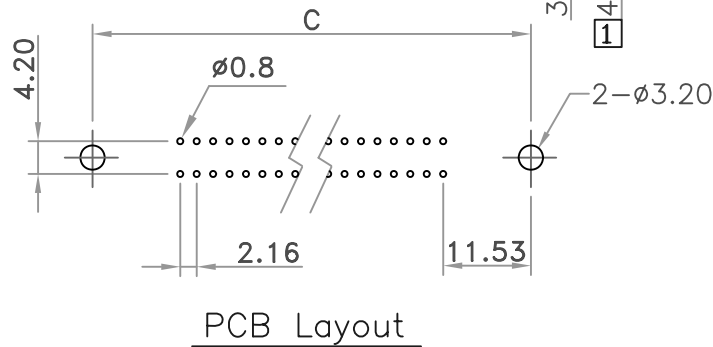
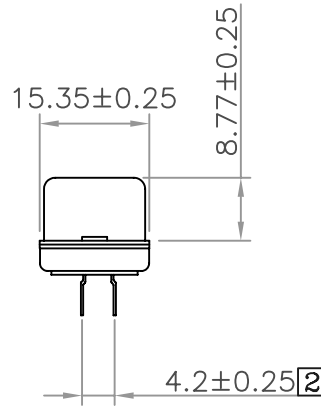
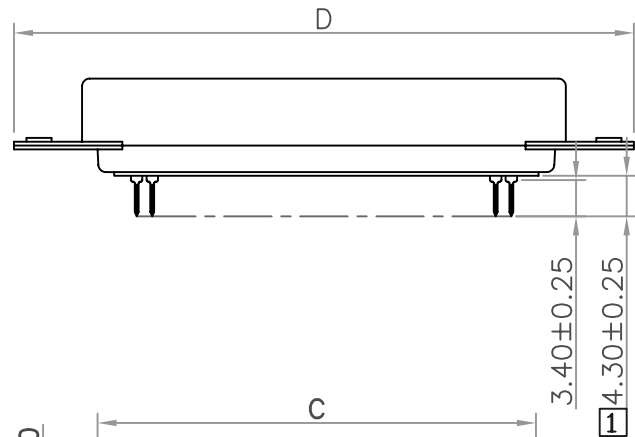
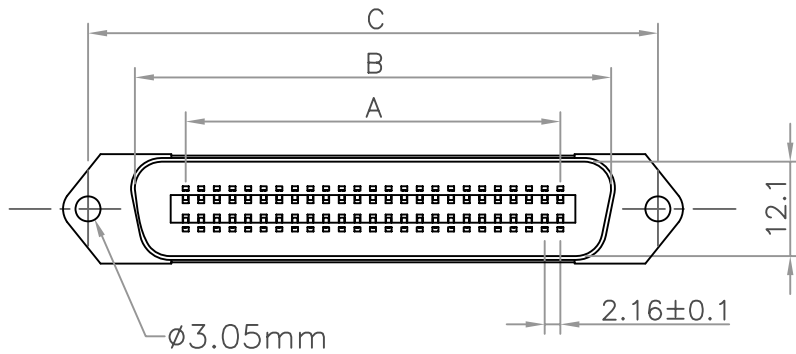


RoHS COMPLIANT



PCB Layout

REV	DATE	DESCRIPTION
D	04/10/'03	RS1-xxPXXAA
E	04/17/'09	Official Drawing
F	09/08/'11	Correct Pin Shape

Material & Finish

- SHELL:**
Steel
Zinc plated, Tin plated
or Nickel plated steel
- PIN CONTACT:**
Phosphor Bronze or Brass
Gold plated
- INSULATOR:**
PBT & Glass-fibre reinforced
UL-94-V0
- NUMBER OF CONTACT:**
14,24,36,50
- CURRENT RATING:**
5 Amp
- DIELECTRIC STRENGTH:**
1000V for one minute
- INSULATOR RESISTANCE:**
1000MΩ Min. (at 500V DC)
- TEMPERATURE:**
-55°C to +105°C

Positions	A	B	C	D
14	12.96	25.6	36.0	43.9
24	23.76	36.3	46.8	54.7
36	36.72	49.3	59.7	67.7
50	51.84	64.4	74.9	82.8

FU-YAO TECHNOLOGY CO., LTD.
復堯科技股份有限公司

MODEL NAME:
CENTRONIC P. C. B. S/T TYPE MALE
ROW PITCH 4.2mm

MARK EXPLAIN:
 ⚠:Revision Change
 ①:Important Dimension
 ①:Note
 TOLERANCE:
 0.000:
 0.00 : ±0.20
 0.0 : ±0.30
 0. : ±0.40
 ANGLE: ±3.0°
 UNIT: mm

PART NO. RS1-xxPXXXD0000
 APPROVED BY: ALBERTA
 CHECKED BY: ALAN
 DRAW BY: KAO
 FILE NO. FIG00798
 SCALE: FREE
 DATE : 891020