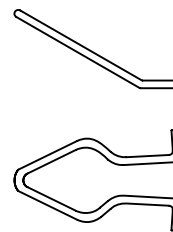
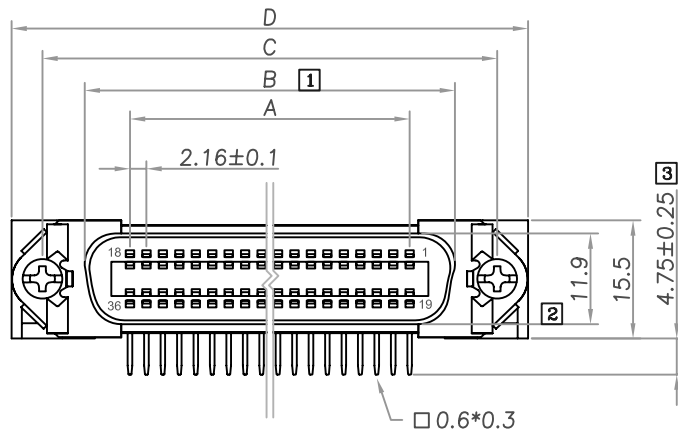
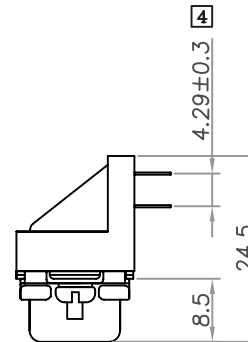
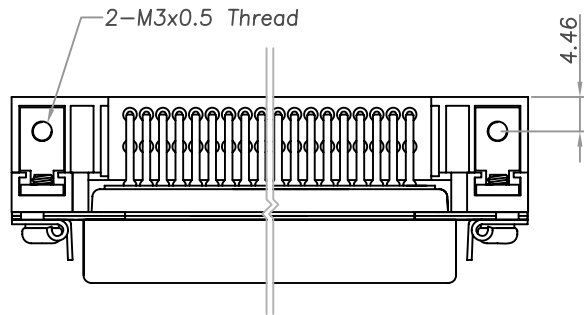


RoHS COMPLIANT

REV	DATE	DESCRIPTION
A	12/11/'15	(Official Drawing)



APPOSE SPRING LATCH
x2PCS

Material & Finish

SHELL:

Steel, Nickel Plated Steel

PIN CONTACT:

Phosphor Bronze
Gold Flash Plated

INSULATOR:

PBT & Glass-fibre reinforced
UL-94-V0 Blue

CURRENT RATING:

3 Amp

CONTACT RESISTANCE:

30mΩ

DIELECTRIC STRENGTH:

1000VAC for one minute

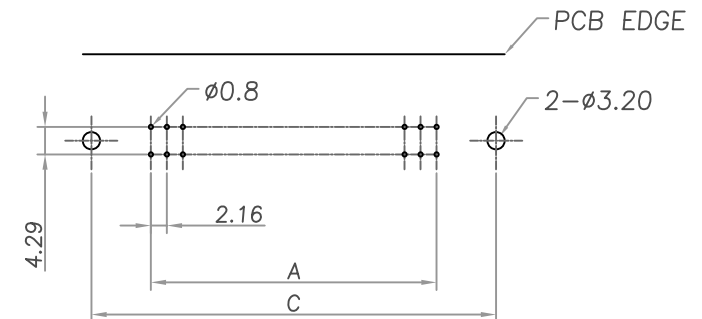
INSULATOR RESISTANCE:

1000MΩ Min. (at 500VDC)

TEMPERATURE:

-55°C to +105°C

Positions	A	B	C	D
14	12.96	25.2	36.0	43.9
24	23.76	36.0	46.8	54.7
36	36.72	48.9	59.7	67.7
50	51.84	64.1	74.9	82.8



RECOMMEND PCB LAYOUT

FU-YAO TECHNOLOGY CO., LTD.
復堯科技股份有限公司

MODEL NAME:
CENTRONIC PCB R/A TYPE FEMALE
SCREW LOCK M3 L SHPAE, APPOSE
SPRING LATCH

MARK EXPLAIN:
⚠:Revision Change
①:Important Dimension
①:Note

TOLERANCE:
0.000:
0.00 : ±0.20
0.0 : ±0.30
0. : ±0.40
ANGLE: ±3.0°
UNIT: mm

PART NO. RR4-xxSBAAG2A00
APPROVED BY: ALBERTA
CHECKED BY: ARISA
DRAW BY: ALAN
FILE NO. FIG00611-7
SCALE: 1/1
DATE: 1041211