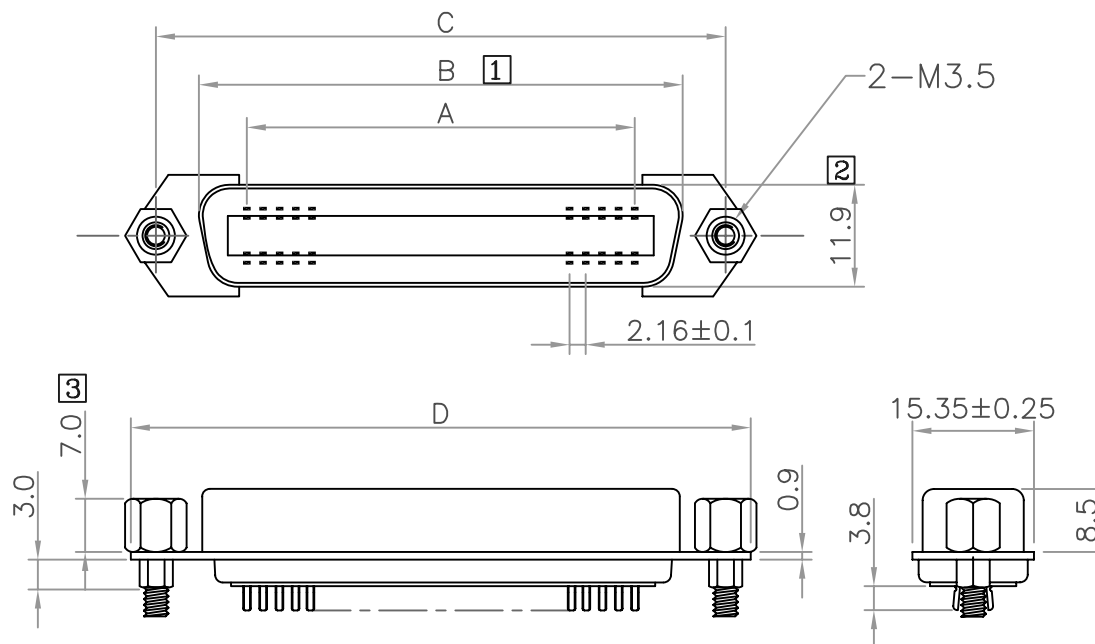


RoHS COMPLIANT

REV	DATE	DESCRIPTION
C	12/09/'02	
E	05/02/'12	Official Drawing



## Material & finish

### SHELL:

Steel  
Zinc plated, Tin plated  
or Nickel plated steel

### PIN CONTACT:

Phosphor bronze or brass  
Gold plated

### INSULATOR:

PBT & Glass-fibre reinforced  
UL-94-V0

### NUMBER OF CONTACT:

14,24,36,50

### CURRENT RATING:

5 Amp

### DIELECTRIC STRENGTH:

1000V for one minute

### INSULATOR RESISTANCE:

1000MΩ Min. (at 500V DC)

### TEMPERATURE:

-55°C to +105°C

Positions	A	B	C	D
14	12.96	25.2	36.0	43.9
24	23.76	36.0	46.8	54.7
36	36.72	48.9	59.7	67.7
50	51.84	64.1	74.9	82.8



FU-YAO TECHNOLOGY CO., LTD.  
復堯科技股份有限公司

MODEL NAME:  
57 SOLDER FEMALE BACK  
RIVET HEX NUT FRONT WITH  
IEEE-488 HEX SCREW

MARK EXPLAIN:  
△:Revision Change  
①:Important Dimension  
①:Note

TOLERANCE:  
0.000:  
0.00 : ±0.15  
0.0 : ±0.25  
0. : ±0.30  
ANGLE: ±3.0°  
UNIT: mm

PART NO. RC2-xxSBAAOED00  
APPROVED BY:  
CHECKED BY:  
DRAW BY: ALAN  
FILE NO. FIG00380  
SCALE: FREE  
DATE: 881206