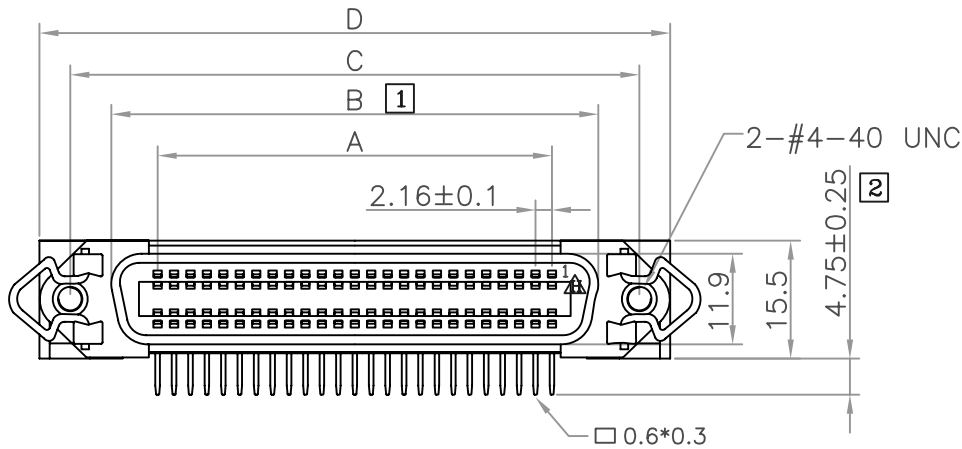
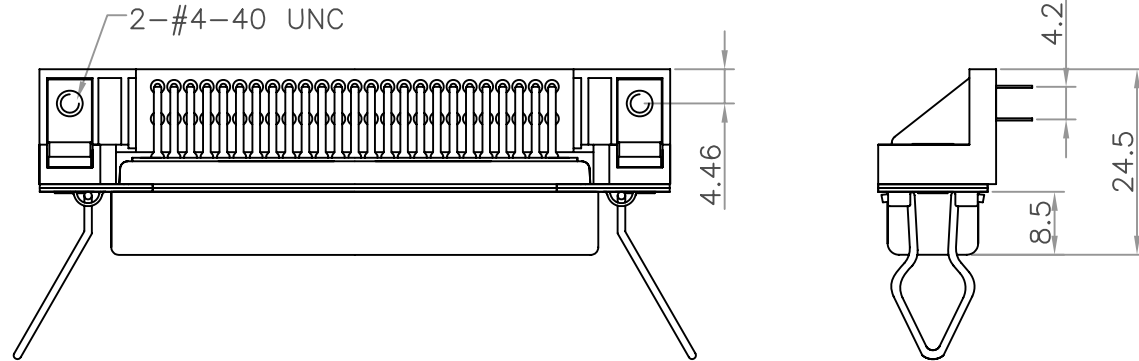


RoHS COMPLIANT



REV	DATE	DESCRIPTION
G	05/12/'16	Update
H	05/15/'18	標示1PIN位置

Apply: Alan



Positions	A	B	C	D
36	36.72	48.9	59.7	67.7
50	51.84	64.1	74.9	82.8

Material & finish

SHELL:

Steel
Nickel plated steel

PIN CONTACT:

Phosphor Bronze
Gold Flash plated

INSULATOR:

PBT & Glass-fibre reinforced
UL-94-V0, Blue

CURRENT RATING:

5 Amp

DIELECTRIC STRENGTH:

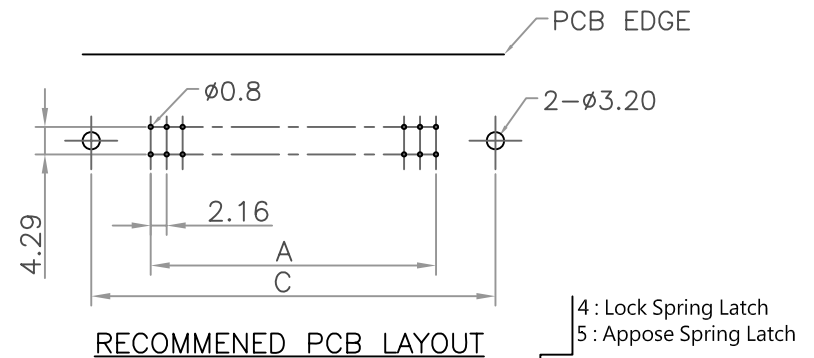
1000V for one minute

INSULATOR RESISTANCE:

1000MΩ Min. (at 500V DC)

TEMPERATURE:

-55°C to +105°C



FU-YAO TECHNOLOGY CO., LTD.
復堯科技股份有限公司

MODEL NAME:
CONTRONIC PCB R/A TYPE FEMALE
RIVET L SHAPE W/SPRING LATCH
(NEW40)

MARK EXPLAIN:
 ▲:Revision Change
 ①:Important Dimension
 ①:Note
 TOLERANCE:
 0.000:
 0.00 : ±0.15
 0.0 : ±0.25
 0. : ±0.30
 ANGLE: ±3.0°
 UNIT: mm

PART NO. RR4-xxSBAAC4M00
 APPROVED BY: ALBERTA
 CHECKED BY: ARISA
 DRAW BY: ALAN
 FILE NO. FIG00245
 SCALE: 1/1
 DATE : 860414