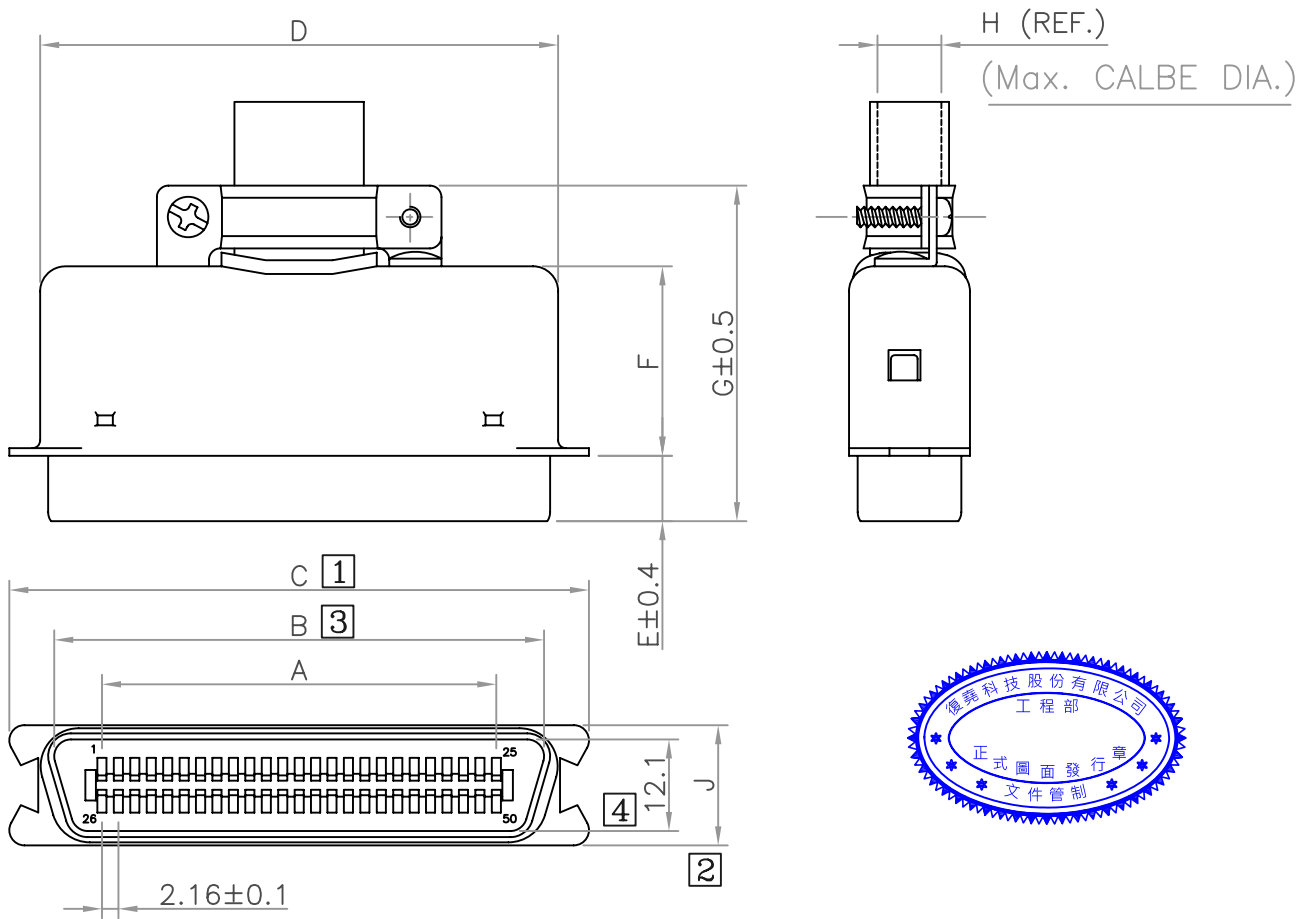


RoHS COMPLIANT

REV	DATE	DESCRIPTION
J	02/24/'21	Update 24PIN DIM B (36.3→36.4±0.3) Apply: Alan



Material & Finish

SHELL:

- Steel
- Nickel plated steel

PIN CONTACT:

- Brass
- Gold plated

INSULATOR:

- PBT & Glass-fibre reinforced
- UL 94V-0, Blue

NUMBER OF CONTACT:

- 14,24,36,50

CURRENT RATING:

- 5 Amp

DIELECTRIC STRENGTH:

- 1000V for one minute

INSULATOR RESISTANCE:

- 1000MΩ Min. (at 500V DC)

TEMPERATURE:

- 55°C to +105°C

Positions	A	B	C	D	E	F	G	H	J
14	12.96	25.6	37.85	29.0	8.1	21.2	39.3	7.0	15.5
24	23.76	36.4	48.8	39.9	7.6	20.6	38.3	9.0	15.8
36	36.72	49.3	61.8	53.2	7.9	22.6	40.6	11.5	15.8
50	51.84	64.4	77.0	68.2	8.5	24.9	43.8	12.5	15.8

CONTACT PLATING:
B: Gold Flash
F: Gold 30u"

SCREW TYPE:
G: 4*9機械牙
D: 4*9自攻牙

FU-YAO TECHNOLOGY CO., LTD.
復堯科技股份有限公司

MODEL NAME:
CENTRONIC SOLDER TYPE MALE
ASSEMBLY METAL STRAIGHT COVER

MARK EXPLAIN:
⚠:Revision Change
①:Important Dimension
①:Note
TOLERANCE:
0.000: ±0.10
0.00 : ±0.20
0.0 : ±0.30
0. : ±0.40
ANGLE: ±3.0°
UNIT: mm

PART NO. RC3-xxPBBAAD0000
APPROVED BY: ALBERTA
CHECKED BY: ALAN
DRAW BY: JARVIS
FILE NO. FIG00083
SCALE: 1/1
DATE: 971231