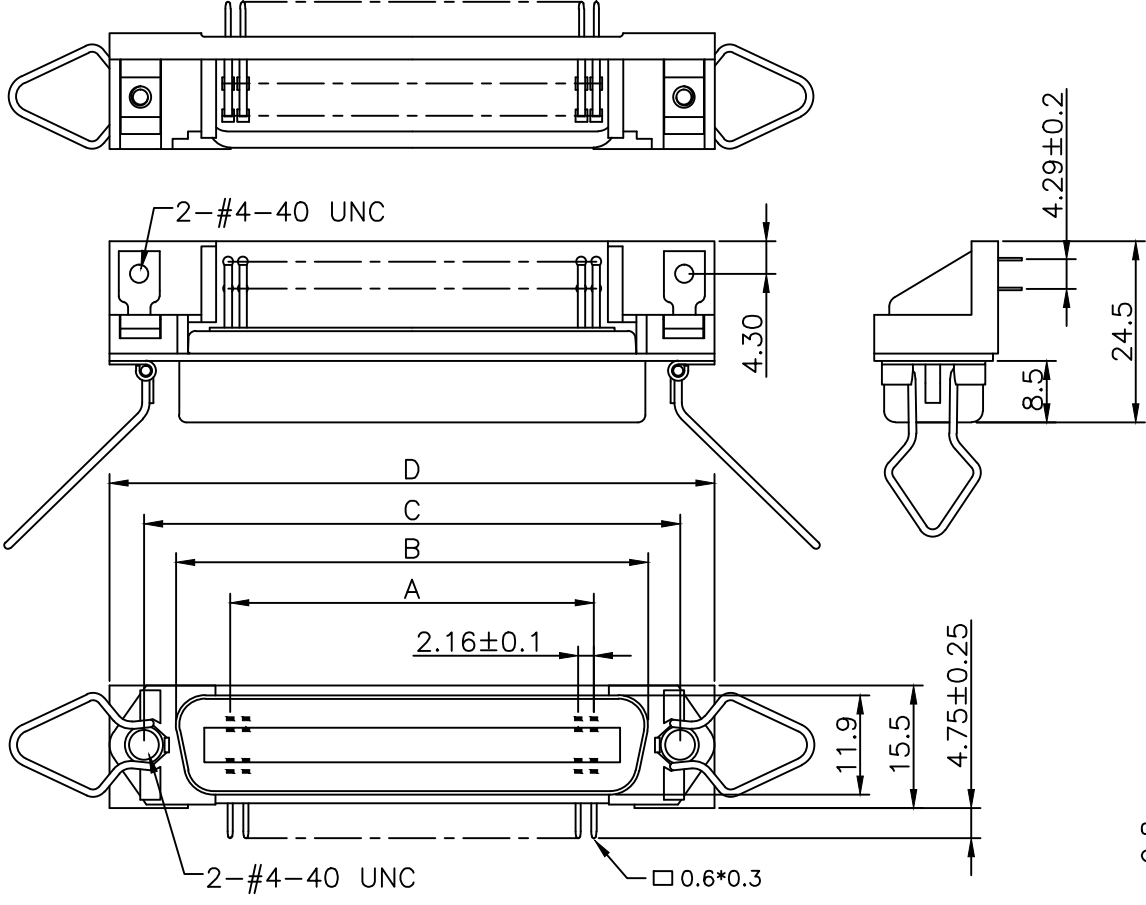


RoHS COMPLIANT

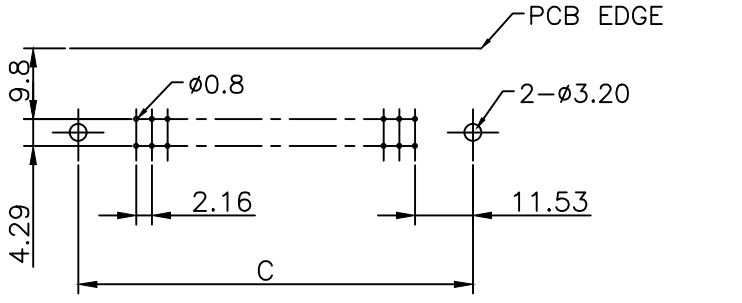
REV	DATE	DESCRIPTION
D	03/23/'15	(Official Drawing)

Material & finish

- SHELL:**
Steel
Zinc plated, Tin plated
or Nickel plated steel
- PIN CONTACT:**
Phosphor Bronze
Gold plated
- INSULATOR:**
PBT & Glass-fibre reinforced
UL-94-V0
- CURRENT RATING:**
1 Amp
- DIELECTRIC STRENGTH:**
1000V for one minute
- INSULATOR RESISTANCE:**
1000MΩ Min. (at 500V DC)
- TEMPERATURE:**
-55°C to +105°C



Positions	A	B	C	D
14	12.96	25.2	36.0	43.9
24	23.76	36.0	46.8	54.7
36	36.72	48.9	59.7	67.7
50	51.84	64.1	74.9	82.8



P.C.B. LAYOUT

- 1: Lock Latch
- 2: Appose Latch

FU-YAO TECHNOLOGY CO., LTD.
復堯科技股份有限公司

MODEL NAME:
CONTRONIC PCB R/A TYPE FEMALE
RIVET L SHAP W/SPRING LATCH

MARK EXPLAIN:
 ▲:Revision Change
 I:Important Dimension
 ①:Note

TOLERANCE:
 0.000:
 0.00 : ±0.15
 0.0 : ±0.25
 0. : ±0.30
 ANGLE: ±3.0°
 UNIT: mm

PART NO. RR4-xxSXXXAC1M00
 APPROVED BY: ALBERTA
 CHECKED BY: ALAN
 DRAW BY: KAO
 FILE NO. FIG00043
 SCALE: FREE
 DATE : 890831