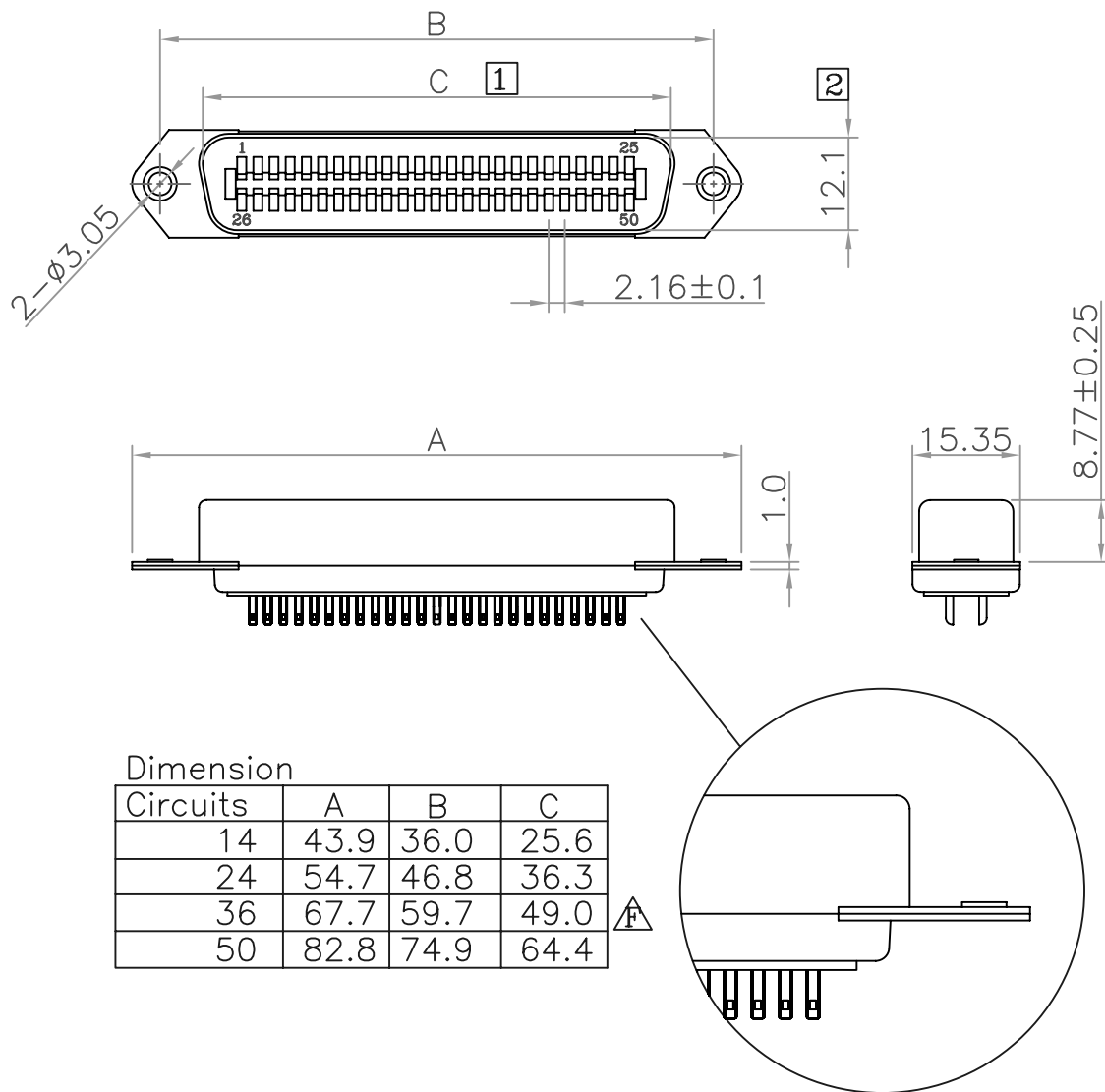


RoHS COMPLIANT

| REV | DATE | DESCRIPTION |
|-----|-----------|--------------------|
| E | 11/18/'15 | Update |
| F | 05/14/'18 | 更新36P-C, 49.3→49.0 |

Apply: Alan



Material & Finish

SHELL:

Steel, Nickel plated

PIN CONTACT:

Brass, Gold Flash plated Over Nickel

INSULATOR:

PBT & Glass-fibre reinforced
UL 94V-0, Blue

NUMBER OF CONTACT:

14,24,36,50

CURRENT RATING:

5 Amp

DIELECTRIC STRENGTH:

1000V for one minute

INSULATOR RESISTANCE:

1000MΩ Min. (at 500V DC)

TEMPERATURE:

-55°C to +105°C



0: 散裝
1: 單PCS包

FU-YAO TECHNOLOGY CO., LTD.
復堯科技股份有限公司

MODEL NAME:
CENTRONIC SOLDER TYPE MALE

MARK EXPLAIN:
 ▲:Revision Change
 ①:Important Dimension
 ①:Note
 TOLERANCE:
 0.00:
 0.00 : ±0.20
 0.0 : ±0.30
 0. : ±0.40
 ANGLE: ±3.0°
 UNIT: mm

PART NO. RC1-xxPBBA00000
 APPROVED BY: ALBERTA
 CHECKED BY: ALAN
 DRAW BY: JARVIS
 FILE NO. FIG00023
 SCALE: 1/1
 DATE: 881125