

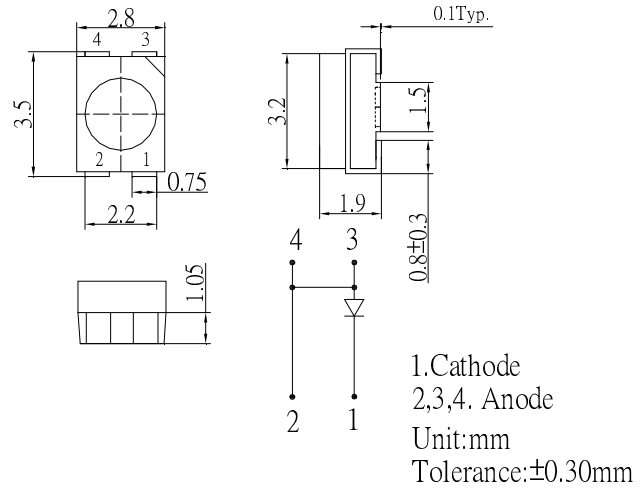
■Features

- High Luminous PLCC4 Power Top SMD LEDs
- 3.5x2.8x1.9mm Standard Directivity
- Superior Weather-resistance
- UV Resistant Epoxy
- Water Clear Type

■Applications

- Signage and channel letter
- Decorating and entertainment lighting
- Architectural lighting
- Outdoor/Indoor applications
- Backlighting/Other Lighting

■Outline Dimension

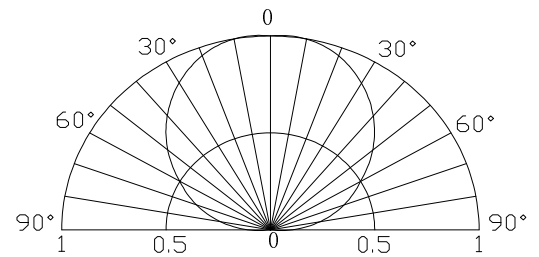


■Absolute Maximum Rating

(Ta=25°C)

| Item | Symbol | Value | Unit |
|----------------------------|-----------------|------------|------|
| DC Forward Current | I _F | 70 | mA |
| Pulse Forward Current* | I _{FP} | 120 | mA |
| Reverse Voltage | V _R | 5 | V |
| Power Dissipation | P _D | 182 | mW |
| Operating Temperature | Topr | -30 ~ +85 | °C |
| Storage Temperature | Tstg | -40~ +100 | °C |
| Lead Soldering Temperature | Tsol | 260°C/5sec | - |

■Directivity



*Pulse width Max.10ms Duty ratio max 1/10

■Electrical -Optical Characteristics

(Ta=25°C)

| Item | Symbol | Condition | Min. | Typ. | Max. | Unit |
|---------------------|-------------------|----------------------|------|------|------|------|
| DC Forward Voltage | V _F | I _F =70mA | 2.0 | 2.3 | 2.6 | V |
| DC Reverse Current | I _R | V _R =5V | - | - | 10 | μA |
| Domi. Wavelength* | λ _D | I _F =70mA | 585 | 590 | 595 | nm |
| Luminous Intensity* | I _v | I _F =70mA | 3500 | 4200 | - | mcd |
| 50% Power Angle | 2θ _{1/2} | I _F =70mA | - | 120 | - | deg |

*1 Tolerance of measurements of dominant wavelength is ±1nm

*2 Tolerance of measurements of luminous intensity is ±15%

*3 Tolerance of measurements of forward voltage is ±0.1V

■Maximum Forward DC Current

Maximum Permissible Forward Current T_j=115°C

