

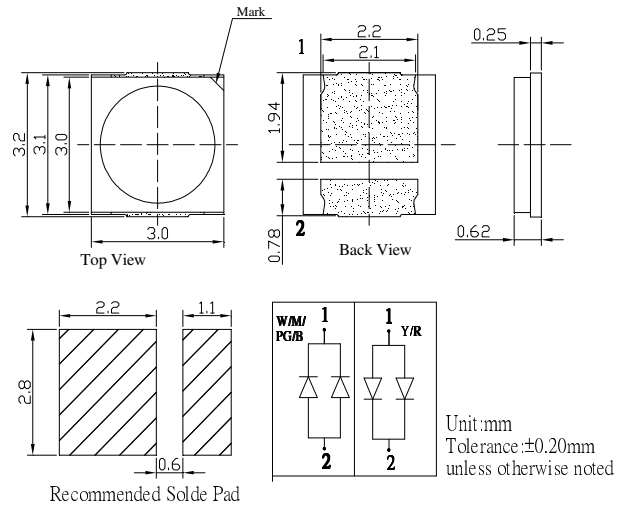
**■Features**

- Highest luminous flux
- Super energy efficiency
- Long lifetime operation
- Superior UV Resistance

**■Applications**

- Read lights (car, bus, aircraft)
- Portable (flashlight, bicycle)
- Bollards / Security / Garden
- Traffic signaling / Beacons
- In door / Out door Commercial lights
- Others

**■Outline Dimension**



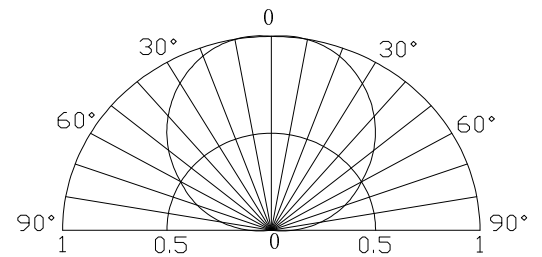
**■Absolute Maximum Rating**

(Ta=25°C)

Item	Symbol	Value		Unit
		W/M/PG/B	Y/R	
DC Forward Current	I <sub>F</sub>	350	350	mA
Pulse Forward Current*	I <sub>FP</sub>	500	500	mA
Reverse Voltage	V <sub>R</sub>	5	5	V
Power Dissipation	P <sub>D</sub>	1190	875	mW
Operating Temperature	Topr	-30 ~ +85		°C
Storage Temperature	Tstg	-40 ~ +100		°C
Lead Soldering Temperature	Tsol	260°C/10sec		-

\*Pulse width Max.10ms Duty ratio max 1/10

**■Directivity**



**■Electrical -Optical Characteristics**

(Ta=25°C)

Part Number	Color			V <sub>F</sub> (V)			I <sub>R</sub> (μA)	Φ <sub>v</sub> (lm)*			λ <sub>d</sub> (nm)*			2θ1/2(deg)
				Min.	Typ.	Max.		Max.	Min.	Typ.	Max.	Min.	Typ.	
							I <sub>F</sub> =350mA			V <sub>R</sub> =5V	I <sub>F</sub> =350mA			
OSW43030C1H-350mA	White	W		2.8	3.0	3.4	20	80	100	-	CCT:6000~7000K			120
OSM53030C1H-350mA	Warm White	M	■	2.8	3.0	3.4	20	80	100	-	CCT:2800~3200K			120
OSB43030C1H-350mA	Blue	B	■	2.8	3.0	3.4	20	15	20	-	455	460	465	120
OSG53030C1H-350mA	Pure Green	PG	■	2.8	3.0	3.4	20	55	65	-	520	525	530	120
OSY53030C1H-350mA	Yellow	Y	■	1.8	2.1	2.5	20	25	30	-	585	590	595	120
OSR53030C1H-350mA	Red	R	■	1.8	2.1	2.5	20	25	30	-	620	625	630	120

\*1 Tolerance of measurements of chromaticity coordinate is ±10%

\*2 Tolerance of measurements of dominant wavelength is ±1nm

\*3 Tolerance of measurements of luminous flux is ±15%

\*4 Tolerance of measurements of forward voltage is ±0.1V

\*5. Don't drive at rated current more than 5s without heat sink for Power Top 1 emitter series.