

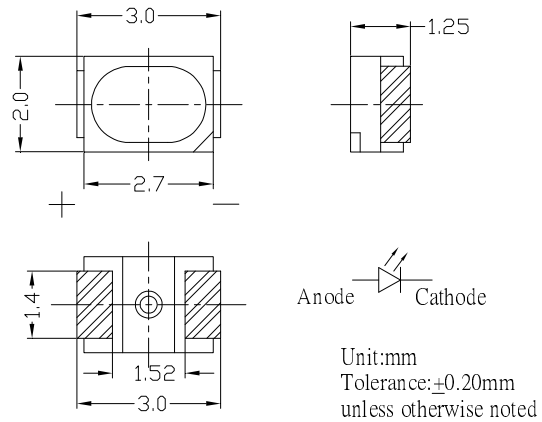
**Features**

- High Luminous PLCC2 Top SMD LEDs
- 3.0x2.0x1.25mm Standard Directivity
- Water Clear Type/W,M: Yellow Diffused Type
- 3Kpcs / Reel

**Applications**

- Electronic Signs And Signals
- Small Area Illuminations
- Back Lighting
- Other Lighting

**Outline Dimension**

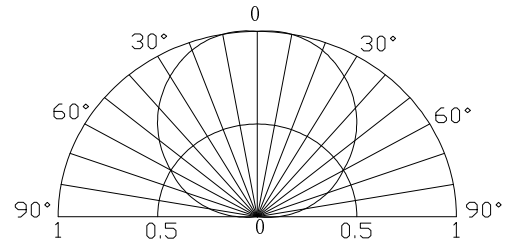


**Absolute Maximum Rating**

(Ta=25°C)

Item	Symbol	Value		Unit
		W/M/BL/PG	YG/YL/OR/HR	
DC Forward Current	I <sub>F</sub>	25	25	mA
Pulse Forward Current*	I <sub>FP</sub>	100	100	mA
Reverse Voltage	V <sub>R</sub>	5	5	V
Power Dissipation	P <sub>D</sub>	90	65	mW
Operating Temperature	T <sub>opr</sub>	-25 ~ +85		°C
Storage Temperature	T <sub>stg</sub>	-35~ +85		°C
Lead Soldering Temperature	T <sub>sol</sub>	260°C/10sec		-

**Directivity**



\*Pulse width Max.10ms Duty ratio max 1/10

**Electrical -Optical Characteristics**

(Ta=25°C)

Part Number	Color			V <sub>F</sub> (V)			I <sub>R</sub> (μA)	I <sub>v</sub> (mcd)			λD(nm)			2θ1/2(deg)
				Min.	Typ.	Max.	Max.	Min.	Typ.	Max.	Min.	Typ.	Max.	Typ.
				I <sub>F</sub> =20mA			I <sub>F</sub> =20mA			I <sub>F</sub> =20mA				
OSWX3020C1C	Cool White	W		2.8	3.2	3.6	10	1000	1200	1400	X:0.23,Y:0.18			120
OSW63020C1C	White	W		2.8	3.2	3.6	10	1400	1600	1800	15000-25000K			120
OSW43020C1C	Pure White	W		2.8	3.2	3.6	10	1400	1600	1800	-	6500K	-	120
OSM53020C1C	Warm White	M		2.8	3.2	3.6	10	1400	1600	1800	-	3000K	-	120
OSB53020C1C	Blue	BL		2.8	3.2	3.6	10	100	200	300	465	470	475	120
OSG53020C1C	Pure Green	PG		2.8	3.0	3.6	10	400	600	800	520	525	530	120
OSG83020C1C	Yellow Green	YG		1.8	2.1	2.6	10	20	40	60	565	570	575	120
OSY53020C1C	Yellow	YL		1.8	2.1	2.6	10	100	200	300	585	590	595	120
OSO53020C1C	Orange	OR		1.8	2.1	2.6	10	100	200	300	600	605	610	120
OSR53020C1C	Red	HR		1.8	2.1	2.6	10	100	200	300	620	625	630	120

\*1 Tolerance of measurements of chromaticity coordinate is ±10%

\*3 Tolerance of measurements of luminous intensity is ±15%

\*2 Tolerance of measurements of dominant wavelength is ±1nm

\*4 Tolerance of measurements of forward voltage is±0.1V

## Precautions in Use for Surface Mount Diode

### ■ Storage

#### · Storage Conditions

Before opening the package:

The LEDs should be kept at 30°C or less and 60%RH or less. The LEDs should be used within a year. When storing the LEDs, moisture proof packaging with absorbent material (silica gel) is recommended.

#### · After opening the package:

Soldering should be done right after opening the package (within 24hrs).

Keeping of a fraction, sealing and Temperature: 5~30°C Humidity: Less than 30%.

If the package has been opened more than 24 Hours, components should be dried for 12hrs, at 60±5°C.

· Optosupply LED electrode sections are comprised of a silver plated copper alloy. The silver surface may be affected by environments which contain corrosive gases and so on. Please avoid conditions which may cause the LED to corrode, tarnish or discolor. This corrosion or discoloration may cause difficulty during soldering operations. It is recommended that the User use the LEDs as soon as possible.

· Please avoid rapid transitions in ambient temperature, especially in high humidity environments where condensation can occur.