

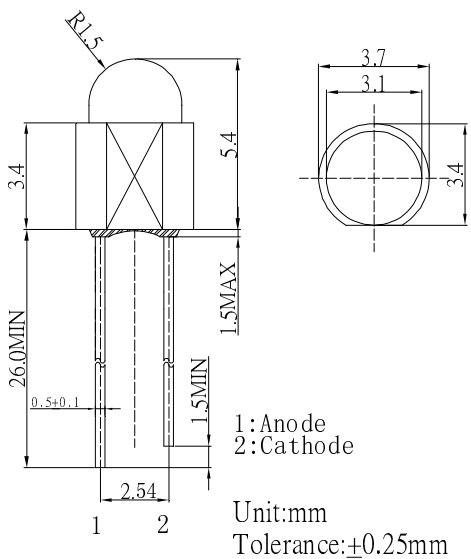
**■ Features**

- High Luminous LEDs
- 3mm Standard Directivity
- Superior Weather-resistance
- UV Resistant Epoxy
- Water Clear Type

**■ Applications**

- Electronic Signs And Signals
- Small Area Illuminations
- Back Lighting
- Other Lighting

**■ Outline Dimension**

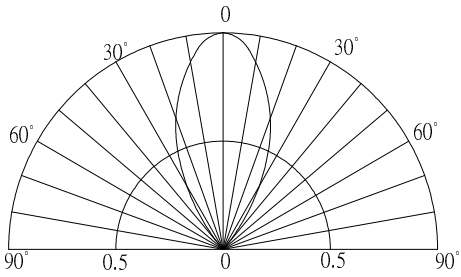


**■ Absolute Maximum Rating**

(Ta=25°C)

Item	Symbol	Value		Unit
		W/M/B/PG	YG/Y/O/R	
DC Forward Current	I <sub>F</sub>	25	30	mA
Pulse Forward Current*	I <sub>FP</sub>	80	100	mA
Reverse Voltage	V <sub>R</sub>	5	5	V
Power Dissipation	P <sub>D</sub>	90	78	mW
Operating Temperature	Topr	-30 ~ +85		°C
Storage Temperature	Tstg	-40 ~ +100		°C
Lead Soldering Temperature	Tsol	260°C/5sec		-

**■ Directivity**



\*Pulse width Max.10ms Duty ratio max 1/10

**■ Electrical -Optical Characteristics**

(Ta=25°C)

Part Number	Color			V <sub>F</sub> (V)			I <sub>R</sub> (μA)	I <sub>v</sub> (mcd)			λD (nm)			θ1/2 (deg)
				Min.	Typ.	Max.	Max.	Min.	Typ.	Max.	Min.	Typ.	Max.	Typ.
				I <sub>F</sub> =20mA			V <sub>R</sub> =5V			I <sub>F</sub> =20mA				
OSW5DK3Q51A	White	W		2.8	3.1	3.6	10	8400	10000	-	CCT:8000-18000K			50
OSM5DK3Q51A	Warm White	M	■	2.8	3.1	3.6	10	7000	8400	-	CCT:2700-3200K			50
OSB5SA3Q51A	Blue	B	■	2.8	3.1	3.6	10	3000	4200	-	465	470	475	50
OSG5DA3Q51A	Pure Green	PG	■	2.8	3.1	3.6	10	5800	8400	-	520	525	530	50
OSY5PA3Q51A	Yellow	Y	■	1.8	2.1	2.6	10	4200	5800	-	585	590	595	50
OSO5PA3Q51A	Orange	O	■	1.8	2.1	2.6	10	5800	7000	-	600	605	610	50
OSR5PA3Q51A	Red	R	■	1.8	2.1	2.6	10	4200	5800	-	620	625	630	50

\*1 Tolerance of measurements of dominant wavelength is ±1nm  
 \*2 Tolerance of measurements of chromaticity coordinate is ±10%  
 \*3 Tolerance of measurements of luminous intensity is ±15%  
 \*4 Tolerance of measurements of forward voltage is ±0.1V