

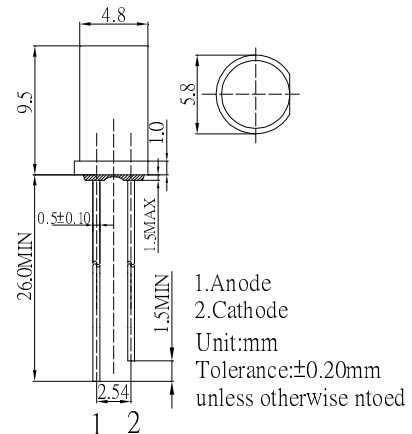
■ **Features**

- High Luminous LEDs
- 5mm Flat Standard Directivity
- Long Lifetime Operation
- UV Resistant Epoxy
- Color Diffused Type (W/M: White Diffused)

■ **Applications**

- Electronic Signs And Signals
- Small Area Illuminations
- Back Lighting
- Other Lighting

■ **Outline Dimension**

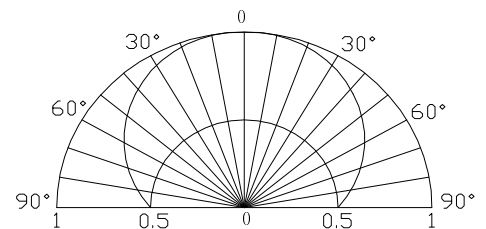


■ **Absolute Maximum Rating** (Ta=25°C)

Item	Symbol	Value		Unit
		W/M/BL/PG	Y/O/R	
DC Forward Current	I _F	30	30	mA
Pulse Forward Current*	I _{FP}	100	100	mA
Reverse Voltage	V _R	5	5	V
Power Dissipation	P _D	108	78	mW
Operating Temperature	T _{opr}	-30 ~ +85		°C
Storage Temperature	T _{stg}	-40 ~ +100		°C
Lead Soldering Temperature	T _{sol}	260°C/5sec		-

*Pulse width Max.10ms Duty ratio max 1/10

■ **Directivity**



■ **Electrical -Optical Characteristics** (Ta=25°C)

Part Number	Color		V _F (V)			I _R (μA)	I _v (mcd)			W _d (nm)*			2θ1/2(deg)
			Min.	Typ.	Max.		Max.	Min.	Typ.	Max.	Min.	Typ.	Max.
			I _F =20mA			V _R =5V		I _F =20mA					
OSW5DK5TA2A	Cool White	W	2.7	2.9	3.4	10	750	1120	-	8500-18000K(X:0.27,Y:0.28)			180
OSM5DK5TA2A	Warm White	M	2.7	2.9	3.4	10	500	750	-	2700-3200K(X:0.44,Y:0.41)			180
OSB5SA5TK4A	Blue	BL	2.8	3.1	3.6	10	150	220	-	465	470	475	180
OSG5DA5TK4A	Pure Green	PG	2.8	3.1	3.6	10	500	750	-	520	525	530	180
OSY5JA5TK4A	Yellow	Y	1.8	2.1	2.6	10	68	100	-	585	590	595	180
OSY5PA5TK4A	Yellow	Y	1.8	2.1	2.6	10	220	330	-	585	590	595	180
OSO5JA5TK4A	Orange	O	1.8	2.1	2.6	10	68	100	-	600	605	610	180
OSO5PA5TK4A	Orange	O	1.8	2.1	2.6	10	220	330	-	600	605	610	180
OSR5JA5TK4A	Red	R	1.8	2.1	2.6	10	68	100	-	620	625	630	180
OSR5PA5TK4A	Red	R	1.8	2.1	2.6	10	220	330	-	620	625	630	180

*1 Tolerance of measurements of chromaticity coordinate is +10%

*2 Tolerance of measurements of dominant wavelength is +1nm

*3 Tolerance of measurements of luminous intensity is +15%

*4 Tolerance of measurements of forward voltage is +0.1V