

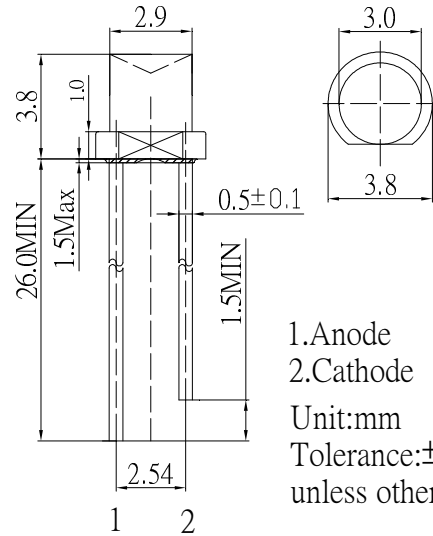
■Features

- High Luminous LED
- 3mm Concave Standard Directivity
- Long Lifetime Operation
- Superior UV Resistance
- Water Clear Type

■Applications

- Electronic Signs And Signals
- Small Area Illuminations
- Back Lighting
- Other Lighting

■Outline Dimension



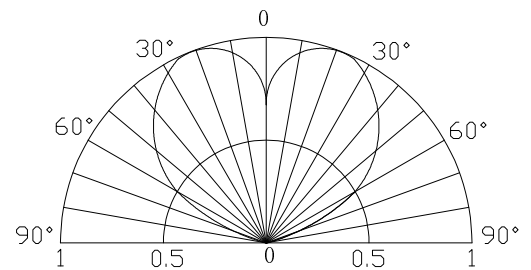
1. Anode
2. Cathode
Unit:mm
Tolerance:±0.20mm
unless otherwise noted

■Absolute Maximum Rating

(Ta=25°C)

Item	Symbo l	Value		Unit
		W/M/B/PG	R/Y	
DC Forward Current	I _F	30	30	mA
Pulse Forward Current#	I _{FP}	100	100	mA
Reverse Voltage	V _R	5	5	V
Power Dissipation	P _D	108	78	mW
Operating Temperature	T _{opr}	-30 ~ +85		°C
Storage Temperature	T _{stg}	-40~ +100		°C
Lead Soldering Temperature	T _{sol}	260°C/5sec		-

■Directivity



#Pulse width Max 0.1ms, Duty ratio max 1/10

■Electrical -Optical Characteristics

(Ta=25°C)

Part Number	Color		V _F (V)			I _R (μA)	I _v (mcd)*			λD(nm)*			2θ1/2(deg)
			Min.	Typ.	Max.	Max.	Min.	Typ.	Max.	Min.	Typ.	Max.	Typ.
			I _F =20mA			V _R =5V	I _F =20mA						
OSW5DK33C1A	White	W	2.9	3.1	3.6	10	750	1120	-	Typ.X:0.27, Y:0.28			120
OSM5DK33C1A	Warm White	M	2.9	3.1	3.6	10	500	750	-	Typ.X:0.45, Y:0.41			120
OSB5SA33C1A	Blue	B	2.9	3.1	3.6	10	220	330	-	465	470	475	120
OSG5DA33C1A	Pure Green	PG	2.9	3.1	3.6	10	500	750	-	520	525	530	120
OSY5RU33C1A	Yellow	Y	1.8	2.1	2.6	10	150	220	-	585	590	595	120
OSY5PA33C1A	Yellow	Y	1.8	2.1	2.6	10	330	500	-	585	590	595	120
OSR5RU33C1A	Red	R	1.8	2.1	2.6	10	150	220	-	620	625	630	120
OSR5PA33C1A	Red	R	1.8	2.1	2.6	10	330	500	-	620	625	630	120

*1 Tolerance of measurements of forward voltage is ±0.1V

*2 Tolerance of measurements of dominant wavelength is ±1nm

*3 Tolerance of measurements of luminous intensity is ±15%