

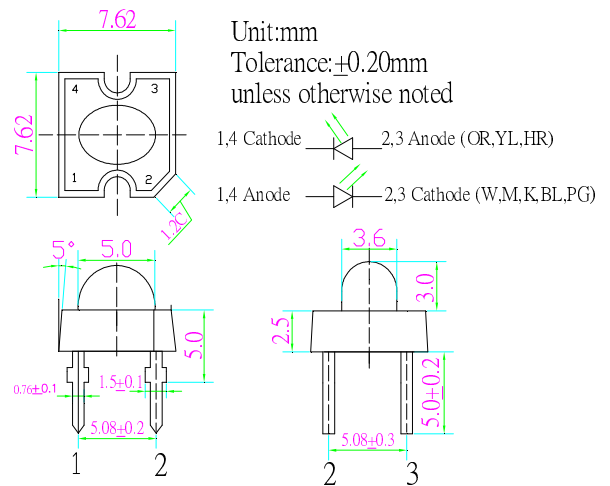
■ **Features**

- High Luminous Super Flux Output
- 3.6x5.0mm Oval Standard Directivity
- Long Lifetime Operation
- Low Thermal Resistance
- Superior Weather-Resistance
- UV Resistant Epoxy
- Water Clear Type

■ **Applications**

- Automotive tail, stop, turn signal lamps and interior lighting
- Signage and channel letter
- Decoration and entertainment lighting
- Architectural lighting
- Other Lighting

■ **Outline Dimension**



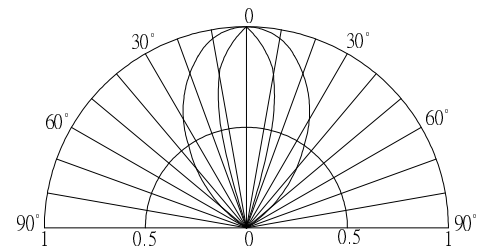
■ **Absolute Maximum Rating**

(Ta=25°C)

Item	Symbol	Value		Unit
		W/M/K/B/PG	Y/O/R	
DC Forward Current	I _F	50	50	mA
Pulse Forward Current*	I _{FP}	100	100	mA
Reverse Voltage	V _R	5	5	V
Power Dissipation	P _D	180	130	mW
Operating Temperature	Topr	-30 ~ +85		°C
Storage Temperature	Tstg	-40~ +100		°C
Lead Soldering Temperature	Tsol	260 °C/5sec		-

*Pulse width Max.10ms Duty ratio max 1/10

■ **Directivity**



■ **Electrical -Optical Characteristics**

(Ta=25°C)

Part Number	Color		V _F (V)			I _R (μA)	I _v (mcd)			λD (nm)			θ1/2 (deg)
			Min.	Typ.	Max.	Max.	Min.	Typ.	Max.	Min.	Typ.	Max.	Typ.
			I _F =30mA			V _R =5V		I _F =30mA					
OSW54LZG71D	White	W5	2.8	3.1	3.6	10	12000	14400			X=0.27,Y=0.28		30/70
OSM54LZG71D	Warm white	M5	2.8	3.1	3.6	10	7000	8400			X=0.45,Y=0.41		30/70
OSK54LZG71D	Pink	K5	2.8	3.1	3.6	10	3000	4200			X=0.45,Y=0.17		30/70
OSB56LZG71D	Blue	B5	2.8	3.1	3.6	10	4200	5800		465	465	475	30/70
OSG58AZG71D	Pure green	G5	2.8	3.1	3.6	10	10000	12000		520	525	530	30/70
OSY5PAZG71D	Yellow	Y5	1.8	2.1	2.6	10	4200	5800		585	590	595	30/70
OSO5PAZG71D	Orange	O5	1.8	2.1	2.6	10	4200	5800		600	605	610	30/70
OSR5PAZG71D	Red	R5	1.8	2.1	2.6	10	4200	5800		620	625	630	30/70

*1 Tolerance of measurements of chromaticity coordinate is ±10%

*2 Tolerance of measurements of dominant wavelength is ±1nm

*3 Tolerance of measurements of luminous intensity is ±15%

*4 Tolerance of measurements of forward voltage is ±0.1V