

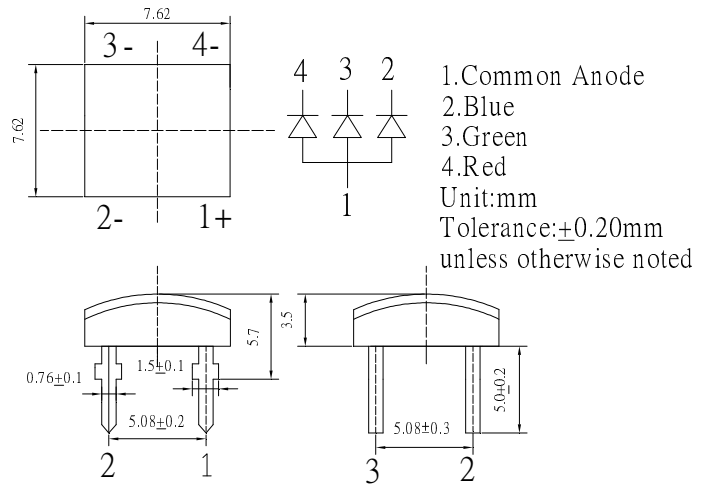
■Features

- Super Flux Output
- Arc Standard Directivity
- UV Resistant Epoxy
- Water Clear Type
- Common Anode Type

■Applications

- Toys
- Games
- Audio
- Backing Lighting

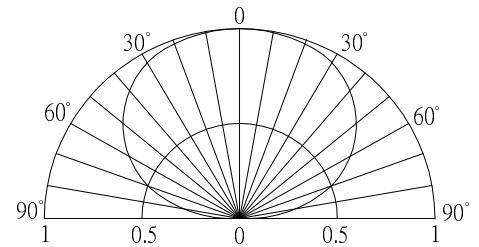
■Outline Dimension



■Absolute Maximum Rating (Ta=25°C)

Item	Symbol	Value		Unit
		Red	Green/Blue	
DC Forward Current	I _F	50	30	mA
Pulse Forward Current#	I _{FP}	120	100	mA
Reverse Voltage	V _R	5	5	V
Power Dissipation	P _D	130	108	mW
Operating Temperature	Topr	-30 ~ +85		°C
Storage Temperature	Tstg	-40 ~ +100		°C
Lead Soldering Temperature	Tsol	260°C/5sec		-

■Directivity



#Pulse width Max.10ms Duty ratio max 1/10

■Electrical -Optical Characteristics (Ta=25°C)

Item	Symbol	Condition	Min.	Typ.	Max.	Unit
DC Forward Voltage*1	V _F (R)	I _F =20mA	-	2.1	2.6	V
	V _F (B/G)	I _F =20mA	-	3.1	3.6	V
DC Reverse Current	I _R	V _R =5V	-	-	10	μA
Domi. Wavelength*2	λ _D (Red)	I _F =20mA	620	625	630	nm
	λ _D (Green)	I _F =20mA	520	525	530	nm
	λ _D (Blue)	I _F =20mA	465	470	475	nm
Luminous Intensity*3	I _v (Red)	I _F =20mA	2180	3000	-	mcd
	I _v (Green)	I _F =20mA	4200	5800	-	mcd
	I _v (Blue)	I _F =20mA	1120	1560	-	mcd
50% Power Angle	2θ _{1/2}	I _F =20mA	-	140	-	deg

*1 Tolerance of measurements of forward voltage is ±0.1

*2 Tolerance of measurements of dominant wavelength is ±1nm

*3 Tolerance of measurements of Luminous Intensity is ±15%