

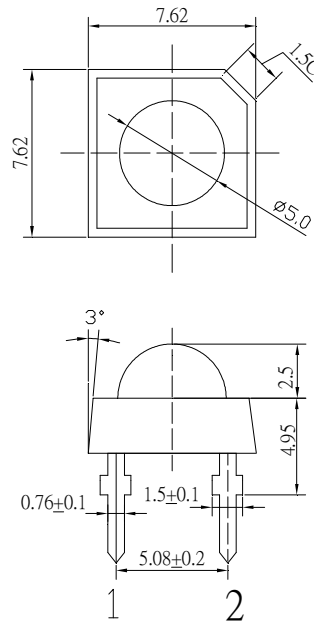
■Features

- High Luminous Super Flux Output
- 5 ° Standard Directivity
- Long Lifetime Operation
- Low Thermal Resistance
- Superior Weather-Resistance
- UV Resistant Epoxy
- Water Clear Type

■Applications

- Interior and exterior automotive lighting (e.g. dashboard backlighting etc.)
- Backlighting (Illuminated advertising, general lighting, etc)
- Decorative Lighting
- Other Lighting

■Outline Dimension



Unit:mm
Tolerance:±0.3mm

1,4 Anode
2,3 Cathode

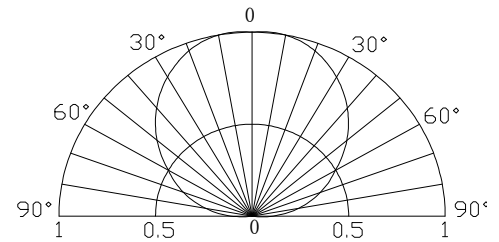
■Absolute Maximum Rating

(Ta=25°C)

| Item | Symbol | Value | Unit |
|----------------------------|-----------------|--------------|------|
| DC Forward Current | I _F | 50 | mA |
| Pulse Forward Current* | I _{FP} | 100 | mA |
| Reverse Voltage | V _R | 5 | V |
| Power Dissipation | P _D | 180 | mW |
| Operating Temperature | Topr | -30 ~ +85 | °C |
| Storage Temperature | Tstg | -40 ~ +100 | °C |
| Lead Soldering Temperature | Tsol | 260°C / 5sec | - |

*Pulse width Max.10ms , Duty ratio max 1/10

■Directivity



■Electrical -Optical Characteristics

(Ta=25°C)

| Item | Symbol | Condition | Min. | Typ. | Max. | Unit |
|---------------------------|-------------------|----------------------|------|------|------|------|
| DC Forward Voltage | V _F | I _F =30mA | 2.9 | 3.1 | 3.6 | V |
| DC Reverse Current | I _R | V _R =5V | - | - | 10 | µA |
| Luminous Intensity* | I _v | I _F =30mA | 2600 | 4200 | - | mcd |
| Chromaticity Coordinates* | x | I _F =30mA | - | 0.45 | - | |
| | y | I _F =30mA | - | 0.41 | - | |
| 50% Power Angle | 2θ _{1/2} | I _F =30mA | - | 120 | - | deg |

*1 Tolerance of measurements of chromaticity coordinate is ±10%

*2 Tolerance of measurements of luminous intensity is ±15%

*3 Tolerance of measurements of forward voltage is ±0.1V