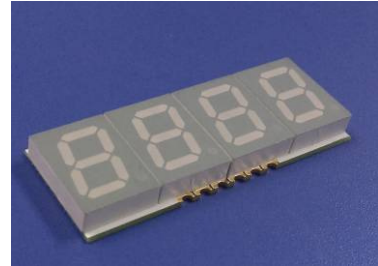


0.39 Inch Four Digit SMD Display
OSK4039A-IX(Common Anode type)
OSK4039A-LX (Common Cathode type)

■ **Features**

- 0.39 Inch Four Digit Display
- Long lifetime operation
- IC compatible
- Low power dissipation
- Gray surface & white segment or dot
- RoHS compliant

■ **Photo**



■ **Applications**

- Counting device
- Clock

■ **Absolute Maximum Rating (Ta=25°C)**

Item	Symbol	Value		Unit
		W/B/TG	YG/Y/O/R	
DC Forward Current	I _F	25	25	mA
Pulse Forward Current*	I _{FP}	80	80	mA
Reverse Voltage	V _R	5	5	V
Power Dissipation	P _t	90	65	mW
Operating Temperature	T _{opr}	-30~ +85		°C
Storage Temperature	T _{stg}	-40~ +100		°C
Lead Soldering Temperature(1.6mm Below body)	T _{sol}	260°C/3sec		°C

*Pulse width Max.10ms Duty ratio max 1/10

*Reflow time Max.3seconds

■ **Electrical -Optical Characteristics (Ta=25°C)**

Part Number	Color		V _F (V)			I _R (μA)	I _v (mcd)			λD(nm)		
			Min.	Typ.	Max.		Max.	Min.	Typ.	Max.	Min.	Typ.
			I _F =20mA			V _R =5V			I _F =10mA			I _F =20mA
OSK4039A-IW(LW)	White	W	-	3.1	3.6	100	20	50	80	6000K	8000K	10000K
OSK4039A-IB(LB)	Blue	B	-	3.1	3.6	100	5	10	15-	465	470	475
OSK4039A-IG(LG)	True green	TG	-	3.1	3.6	100	8	15	25	510	520	530
OSK4039A-IYG(LYG)	Yellow green	YG	-	2.1	2.6	100	3	9	15	565	570	575
OSK4039A-IY(LY)	Yellow	Y	-	2.1	2.6	100	5	10	15	585	590	595
OSK4039A-IO(LO)	Orange	O	-	2.1	2.6	100	5	10	15	600	605	610
OSK4039A-IR(LR)	Red	R	-	2.1	2.6	100	4	9	15	625	630	640

*1 Tolerance of measurements of chromaticity coordinate is ±10%

*2 Tolerance of measurements of dominant wavelength is ±1nm

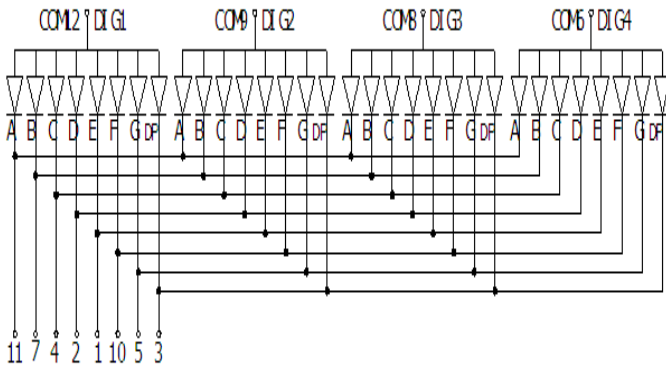
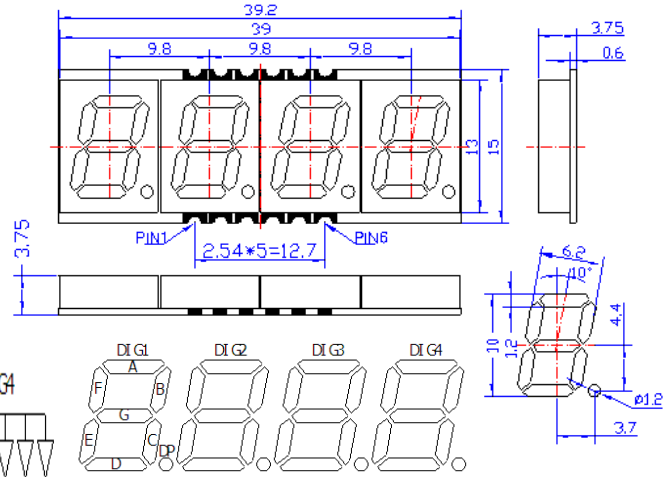
*3 Tolerance of measurements of luminous intensity is ±15%

*4 Tolerance of measurements of forward voltage is ±0.1V

■ **Package Dimensions**

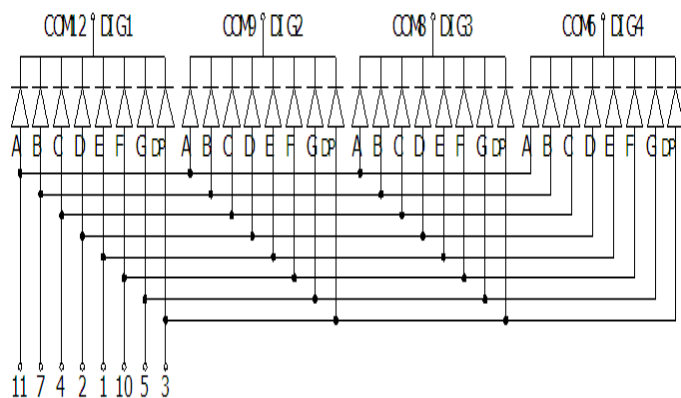
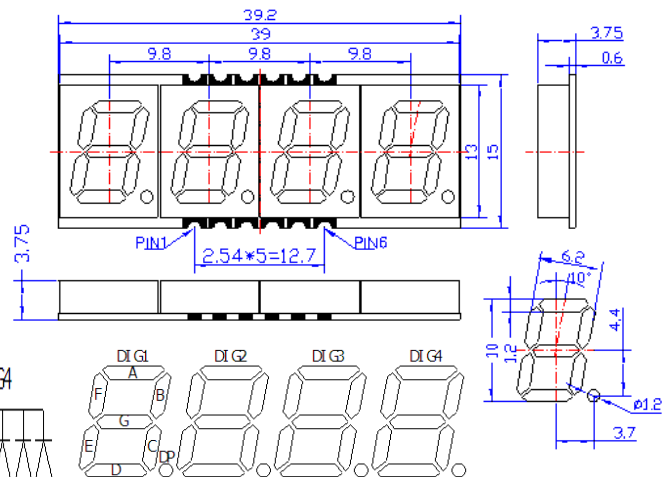
**OSK4039A-IX
(Common Anode type)**

Note:
1,Unit : mm(Tolerance:±0.25mm unless
otherwise noted)

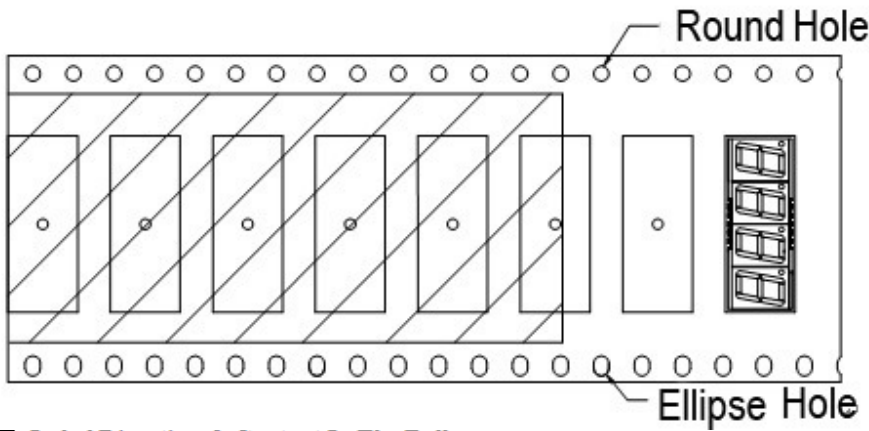


**OSK4039A-LX
(Common Cathode type)**

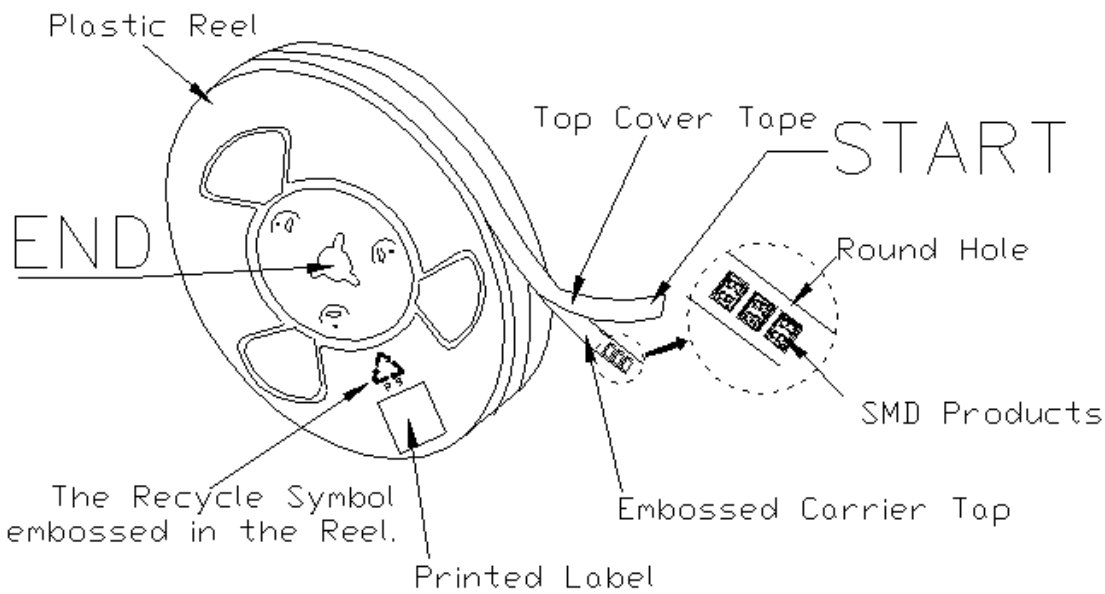
Note:
1,Unit : mm(Tolerance:±0.25mm unless
otherwise noted)



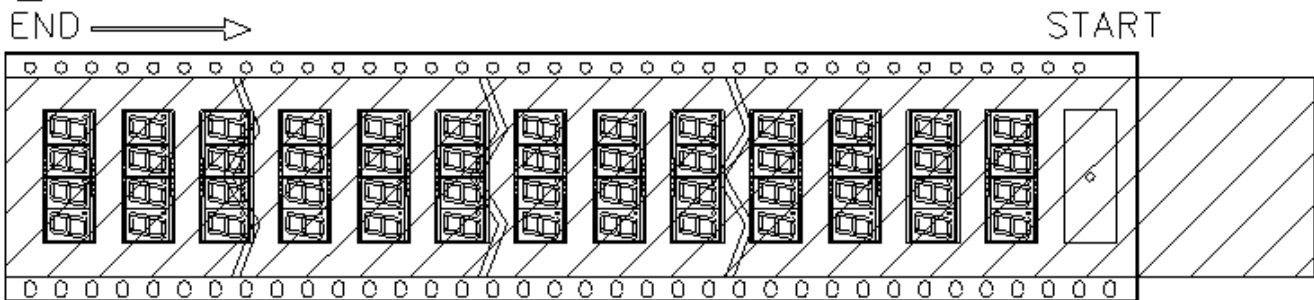
■ **The Products In The Reel Of Direction**



■ **Label Direction & Content In The Roll**



■ **USER FEED DIRECTION**



Package Criteria:

1. Total unit per reel is 500PCS.
2. Max 5 reels/2500PCS are packaged in each carton



CAUTION

This bag contains

MOISTURE-SENSITIVE DEVICES

LEVEL

3

1. Calculated shelf life in sealed bag:12 months at $<40^{\circ}\text{C}$ and $<90\%$ relative humidity (RH).
2. Peak package body temperature:Per Product Label
3. After bag is opened,devices that will be subjected to reflow solder or other high temperature process must be
 - a)Mounted within:168 hours of factory conditions $\leq 30^{\circ}\text{C}/60\%RH$
 - b)stored per J-STD-033
4. Devices require bake,before mounting,if:
 - a)Humidity Indicator Card is $>10\%$ when read at $23 \pm 5^{\circ}\text{C}$
 - b)3a or 3b not met.
- 5.If baking is required,devices may be baked for 20 hours at $60 \pm 5^{\circ}\text{C}$

Bag Seal Date: _____

If Blank,see adjacent bar code label

Note:Level and body temperature defined by IPC/JEDEC J-STD-020