

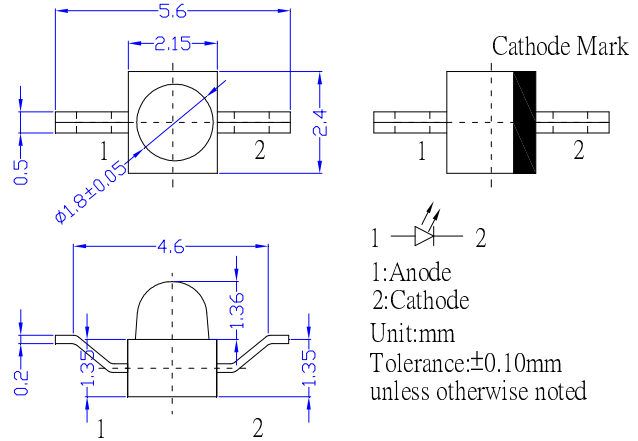
**■Features**

- Small double-end package
- 1.8mm Standard Directivity
- Good spectral matching to Si photodetector
- Water Clear Type

**■Applications**

- Optoelectronic switch
- Floppy disk drive
- Infrared emitting for miniature light barrier
- Smoke detector
- Others

**■Outline Dimension**

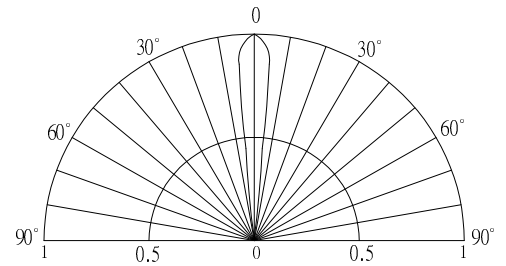


**■Absolute Maximum Rating**

(Ta=25°C)

Item	Symbol	Value		Unit
		B/PG	YG/Y/R/O	
DC Forward Current	I <sub>F</sub>	30	30	mA
Pulse Forward Current*	I <sub>FP</sub>	100	100	mA
Reverse Voltage	V <sub>R</sub>	5	5	V
Power Dissipation	P <sub>D</sub>	108	78	mW
Operating Temperature	T <sub>opr</sub>	-30 ~ +85		°C
Storage Temperature	T <sub>stg</sub>	-40 ~ +100		°C
Lead Soldering Temperature	T <sub>sol</sub>	260°C/10sec		-

**■Directivity**



\*Pulse width Max.10ms Duty ratio max 1/10

**■Electrical -Optical Characteristics**

(Ta=25°C)

Part Number	Color		V <sub>F</sub> (V)			I <sub>R</sub> (μA)	I <sub>v</sub> (mcd)*			λ <sub>D</sub> (nm)*			2θ1/2(deg)
			Min.	Typ.	Max.	Max.	Min.	Typ.	Max.	Min.	Typ.	Max.	Typ.
			I <sub>F</sub> =20mA			V <sub>R</sub> =5V	I <sub>F</sub> =20mA						
OSB4212411C-TR10	Blue	B	2.8	3.1	3.6	10	3000	4200	-	455	460	465	10
OSG5212411C-TR10	Pure Green	PG	2.8	3.1	3.6	10	10000	12000	-	520	525	530	10
OSG8212411C-TR10	Yellow Green	YG	1.8	2.1	2.6	10	750	1120	-	565	570	575	10
OSY5212411C-TR10	Yellow	Y	1.8	2.1	2.6	10	3000	4200	-	585	590	595	10
OSO5212411C-TR10	Orange	O	1.8	2.1	2.6	10	3000	4200	-	600	605	610	10
OSR5212411C-TR10	Red	R	1.8	2.1	2.6	10	3000	4200	-	620	625	630	10

\*1 Tolerance of measurements of dominant wavelength is ±1nm

\*2 Tolerance of measurements of luminous intensity is ±15%

\*3 Tolerance of measurements of forward voltage is ±0.1V