

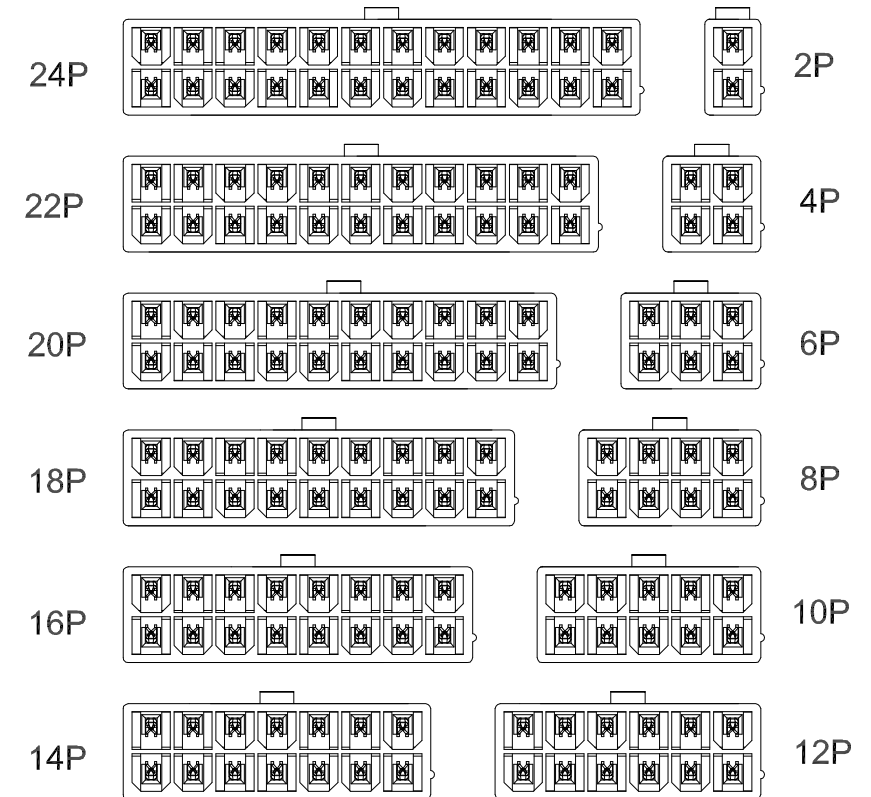
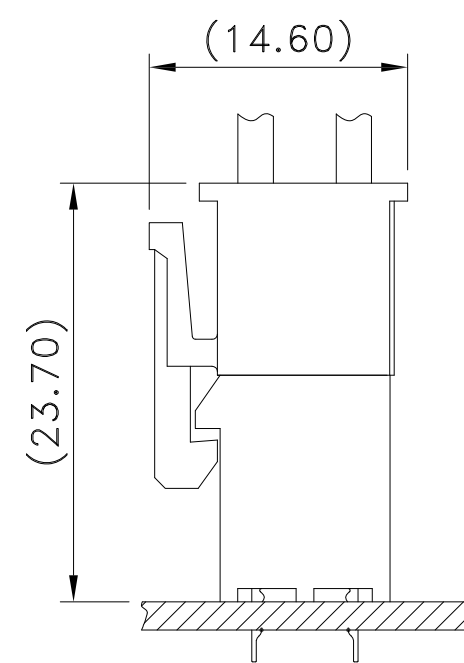
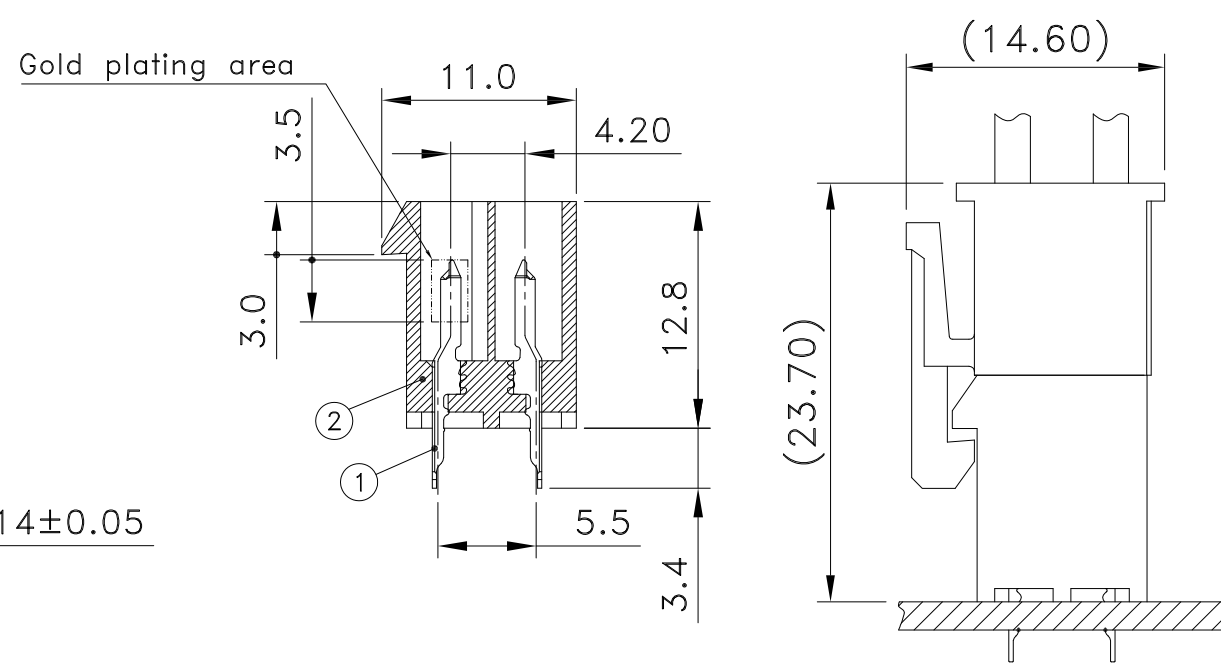
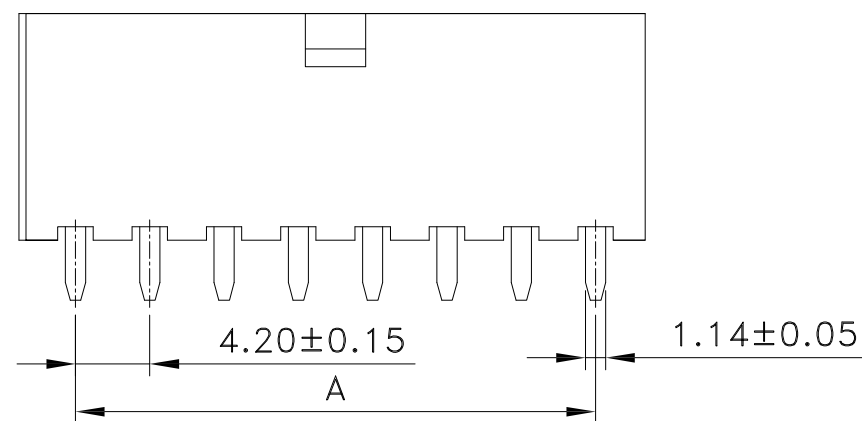
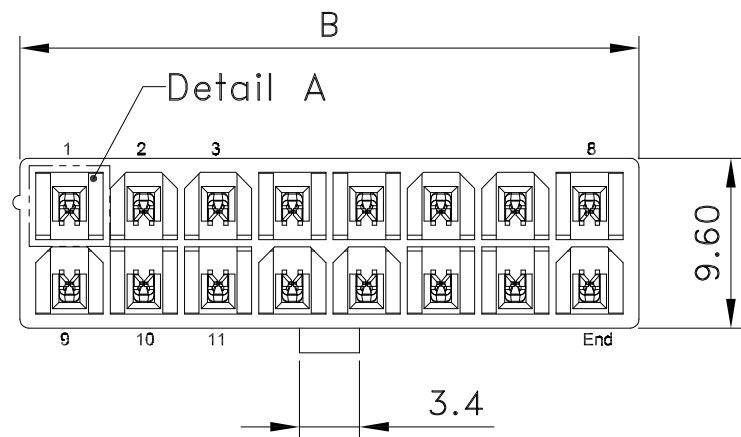
Ordering Information

WP 4.2Ph Wafer
2 2:DIP Vertical
XX 02~24Pin
PT 115 Contact Plated
 PT: Tin
 G5: Gold 30u"
X Drain Hole
 A: Type A
 B: Type B
X -81 Housing Material
 W: PA66 UL94V-0 White
 N: PA66 UL94V-2 Nature
 G: PA66 UL94V-0 Glow Wire

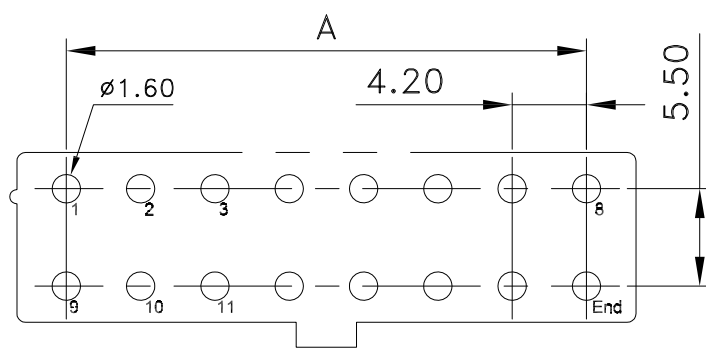
RoHS Compliant

Poles	Dimensions			
	A	Tolerance	B	Tolerance
2	-----	±0.30	5.60	±0.30
4	-----		9.80	
6	8.40		14.00	
8	12.60	±0.40	18.20	±0.40
10	16.80		22.40	
12	21.00		26.60	
14	25.20	±0.50	30.80	±0.50
16	29.40		35.00	
18	33.60		39.20	
20	37.80	±0.50	43.40	±0.50
22	42.00		47.60	
24	46.20		51.80	

Specification:
 Current Rating: 7A AC/DC
 Contact Resistance: 20mΩ max.
 Insulation Resistance: 1,000MΩ min.
 Withstand Voltage: 1500V AC/minute
 Temperature Range: -40°C~+105°C
 Material:
 Base: Nylon 66
 Contact: Brass, Tin Plated

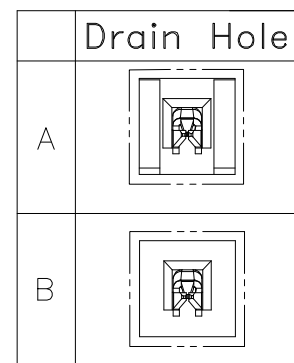


Assembled View



Recommended PCB Layout
General tolerance ±0.05

Detail A



REV.	REVISION RECORD	DATE	General Tolerance	
A	Original	02/18/19"	LINEAR 0.0 ±0.25	ANGLE ±3°
B	Revised	03/22/22"	0.00 ±0.20	
			UNIT: mm	
			A4	NAME
			APPROVED	KENNY
			DESIGNER	GRACE
			DRAWN	CHAOSN



TITLE: 4.2Ph Wafer DIP Vertical
 2Rows 12.8H
 DWG.NO: WP2XXPT115XX-81 REV. B
 SCALE 1 : 1 SHEET 1 OF 1