

1 2 3 4 5 6 7 8

A

B

C

D

E

F

G

H

A

B

C

D

E

F

G

H

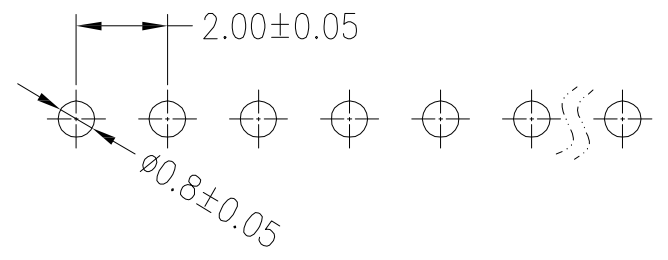
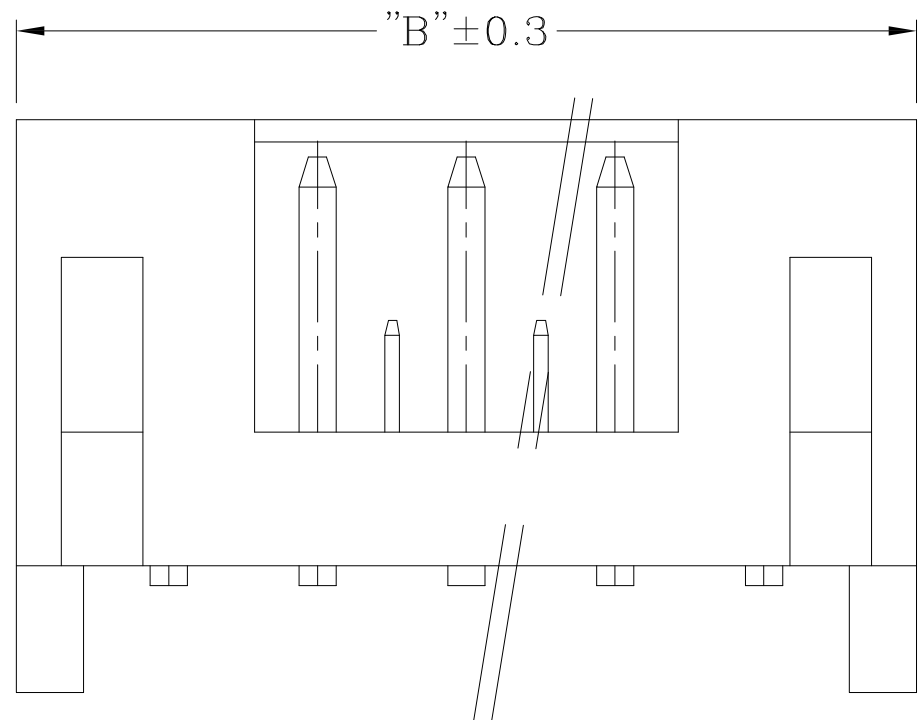
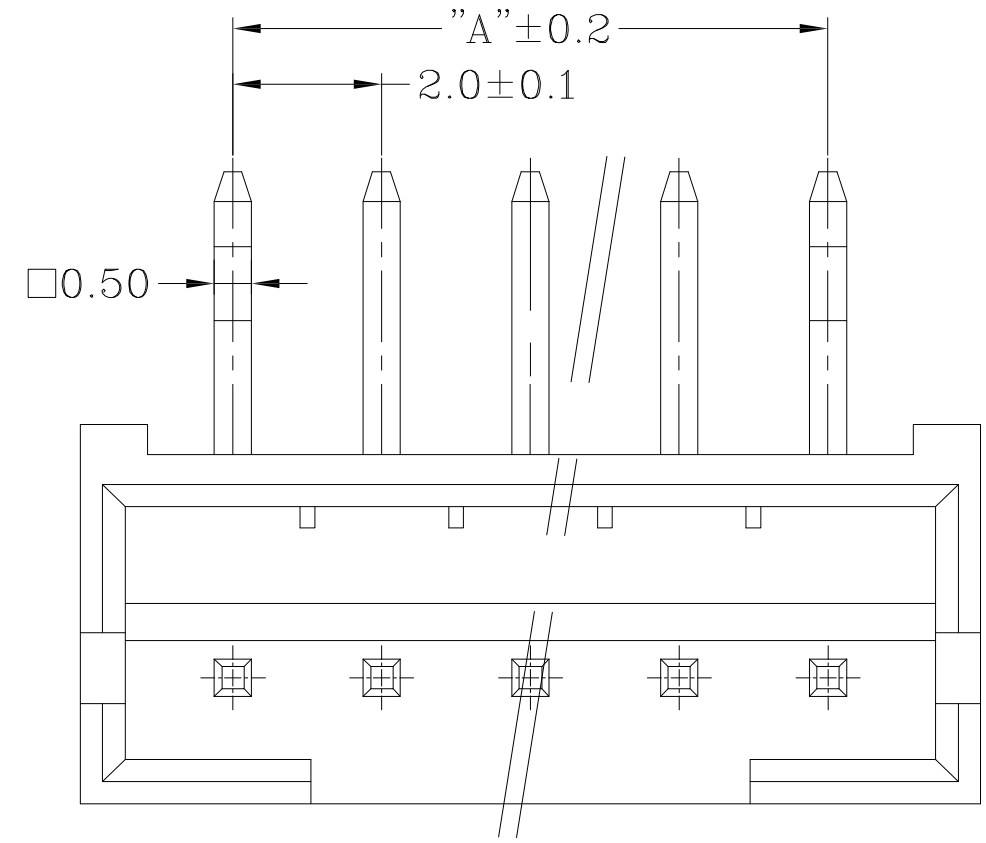
**SPECIFICATIONS:**

Applicable Wire: AWG#24~#28  
 Voltage Rating: 100V AC/DC(rms)  
 Current Rating: 2.0A AC/DC(AWG#24)  
 Withstand voltage: 800V AC/Min(rms)  
 Operating Temperature: -25°C~+85°C  
 Insulation Resistance: 1000MΩ min.  
 Contact Resistance: 30mΩ max.

**MATERIAL:**

Terminal: Brass  
 Housing: PA66,UL94V-0,Natural

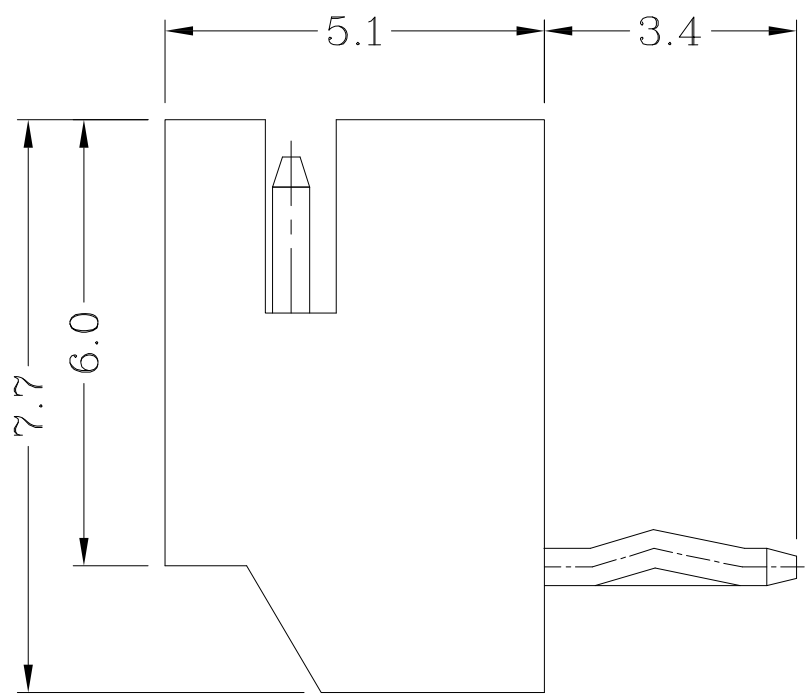
RoHS  
Compliant



RECOMMENDED PCB LAYOUT

**Ordering Information**

**WG - 1 - XX - PT - YE23-1-44**  
 2.0Ph Wafer    Solder/PCB 1:DIP RA    Total Pin    Contact Plated PT: Tin    Packaging 1: Bag



Poles	DIM.A	DIM.B
2P	2.0	6.1
3P	4.0	8.1
4P	6.0	10.1
5P	8.0	12.1
6P	10.0	14.1
7P	12.0	16.1
8P	14.0	18.1
9P	16.0	20.1
10P	18.0	22.1
11P	20.0	24.1
12P	22.0	26.1
13P	24.0	28.1
14P	26.0	30.1
15P	28.0	32.1
16P	30.0	34.1

REV.	REVISION RECORD	DATE
A	Original	10/29/19"

General Tolerance	
LINEAR	0.0 ± 0.25 ANGLE ± 3°
	0.00 ± 0.20
	UNIT: mm
A4	NAME
APPROVED	KENNY
CHECKED	JAMES
DESIGNER	JNDAR

**ARIBA** TECHNOLOGY CO., LTD.

TITLE: 2.0Ph Wafer DIP Right Angle 5.1H 7.7L  
 DWG.NO: **WG1XXPTYE231-44** REV. A  
 SCALE 1 : 1 SHEET 1 OF 1

1 2 3 4 5 6 7 8