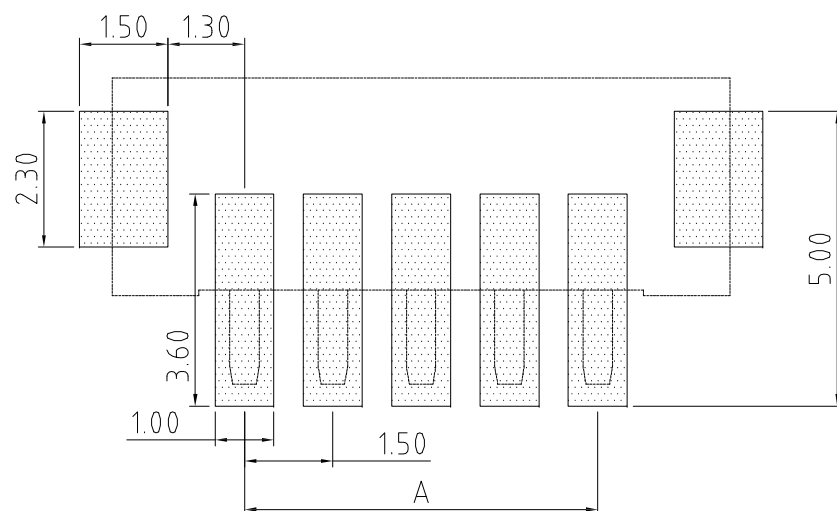
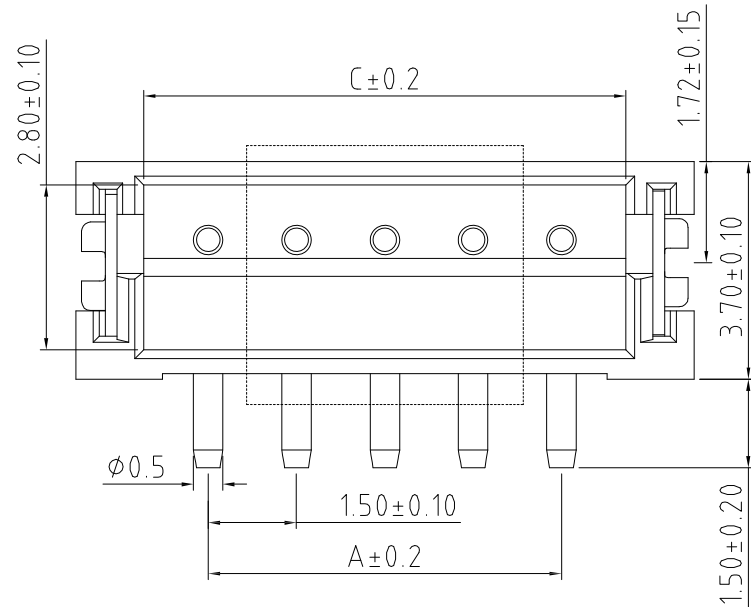
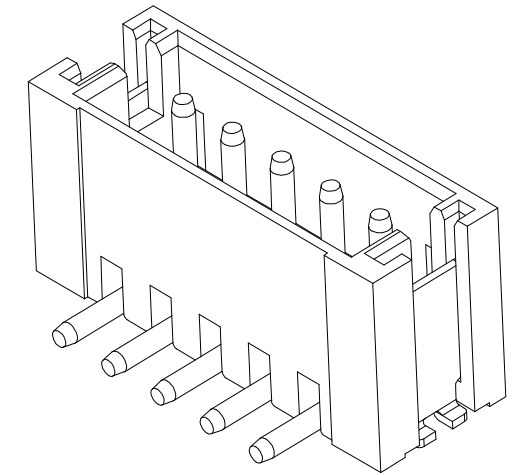
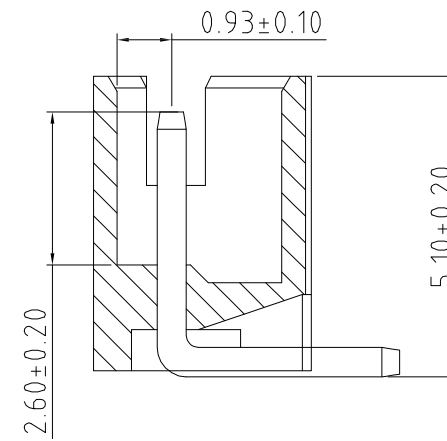
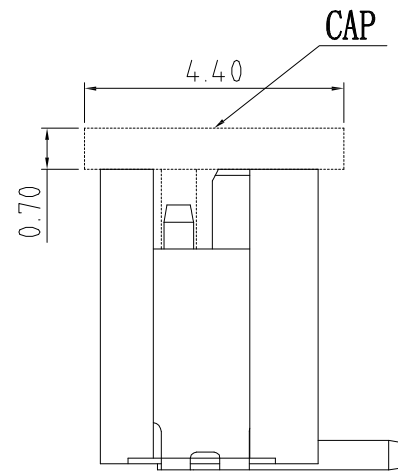
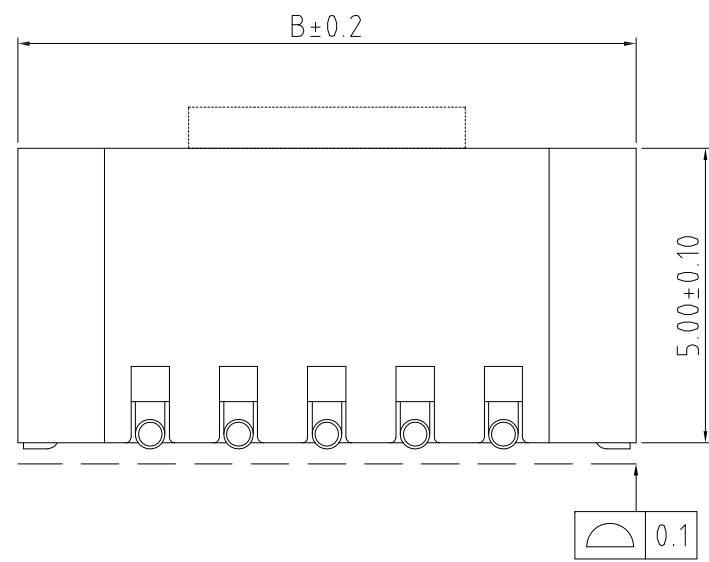


### Ordering Information

**WF - 4 - XX - PT - WCN2- 2-510**  
 1.5Ph Wafer      Solder/PCB      02~16PIN      Contact Plated      Color      Packaging  
 1:DIP RA      2:DIP VT      3:SMT RA      4:SMT VT      PT: Tin on contact/solder      N:Nature      2:Tape&Reel  
 G1:G/F on contact/solder



RECOMMENDED PCB LAYOUT

### SPECIFICATIONS

CURRENT RATING: 1A  
 VOLTAGE RATING: 250V AC/DC  
 TEMPERATURE RANGE: -25° C ~ +85° C  
 CONTACT RESISTANCE: 20mΩ max.  
 INSULATION RESISTANCE: 500MΩ min.  
 WITHSTANDING VOLTAGE: 500V AC/MINUTE  
 MATERIAL:  
 PIN : BRASS/TIN-PLATED  
 FITTING NAIL : BRASS/TIN-PLATED  
 INSULATOR MATERIAL: LCP UL94V-0 Nature

RoHS Compliant

Pin	A	B	C
2	1.50	6.00	3.65
3	3.00	7.50	5.15
4	4.50	9.00	6.65
5	6.00	10.50	8.15
6	7.50	12.00	9.65
7	9.00	13.50	11.15
8	10.50	15.00	12.65
9	12.00	16.50	14.15
10	13.50	18.00	15.65
11	15.00	19.50	17.15
12	16.50	21.00	18.65
13	18.00	22.50	20.15
14	19.50	24.00	21.65
15	21.00	25.50	23.15
16	22.50	27.00	24.65

REV.	REVISION RECORD	DATE	General Tolerance
A	Original	03/10/22	LINEAR 0.0 ±0.25 ANGLE ±3° 0.00 ±0.20
			UNIT: mm
			A4 NAME
			APPROVED WENNY
			DESIGNER GRACE
			DRAWN HOMLEE



TITLE: 1.5Ph Wafer SMT Vertical 5.1H

DWG.NO: WF4XXPTWCN22-510 REV. A

SCALE 1 : 1 SHEET 1 OF 1