

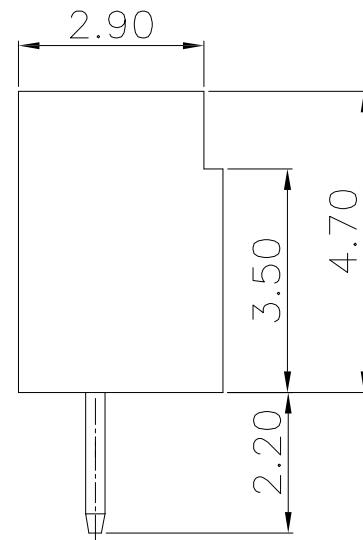
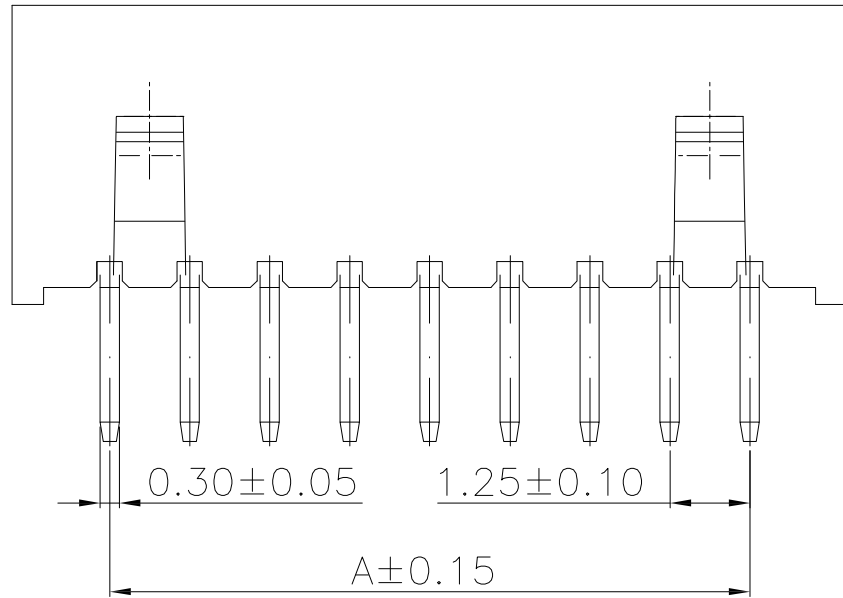
SPECIFICATIONS:

Voltage Rating: 125V AC/DC
 Current Rating: 1A
 Withstand voltage: 500V AC
 Operating Temperature: -25°C~+85°C
 Insulation Resistance: 100MΩ min.
 Contact Resistance: 30mΩ max.

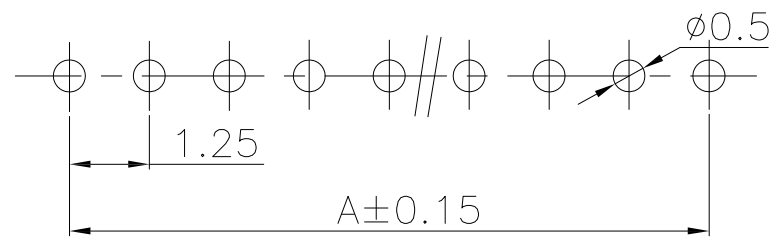
MATERIAL:

Terminal: Brass
 Housing: PA66,UL94V-0

PiN	Dimensions	
	A	B
2P	1.25	4.50
3P	2.50	5.75
4P	3.75	7.00
5P	5.00	8.25
6P	6.25	9.50
7P	7.50	10.55
8P	8.75	11.80
9P	10.00	13.10
10P	11.25	14.30
11P	12.50	15.60
12P	13.75	16.80
13P	15.00	18.10
14P	16.25	19.40



RoHS
Compliant


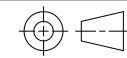


RECOMMENDED PCB LAYOUT

Ordering Information

WE - 2 - XX - PT - LA25 - B - 369

1.25Ph Wafer Solder/PCB 2:DIP VT 02~14PIN Contact Plated PT: Tin Packing B: Bag

REV.	REVISION RECORD	DATE	General Tolerance	 ARIBA TECHNOLOGY CO., LTD.
A	Original	05/26/22	LINEAR 0.0 ±0.25 ANGLE ±3° 0.00 ±0.20	
			 UNIT:mm	TITLE: 1.25Ph Wafer DIP Vertical 4.7H DWG.NO: WE2XXPTLA25B-369 REV. A SCALE 1 : 1 SHEET 1 OF 1
			A4 NAME	
			APPROVED KENNY	
			DESIGNER GRACE	
			DRAWN LANDA	