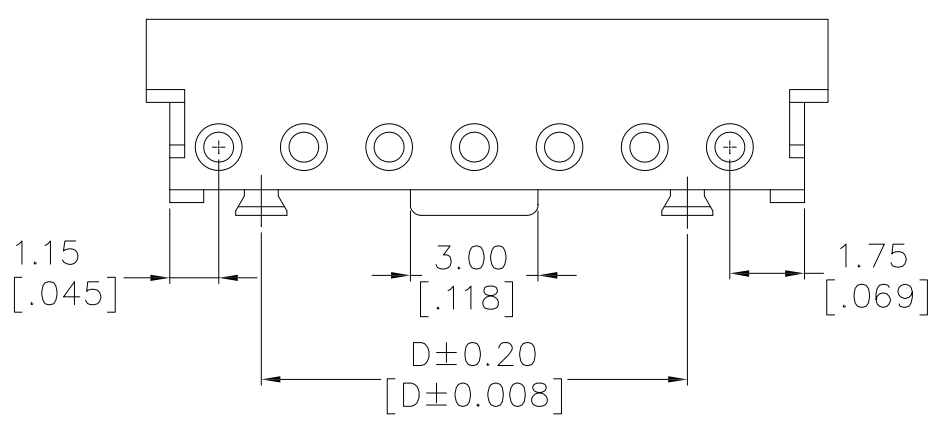
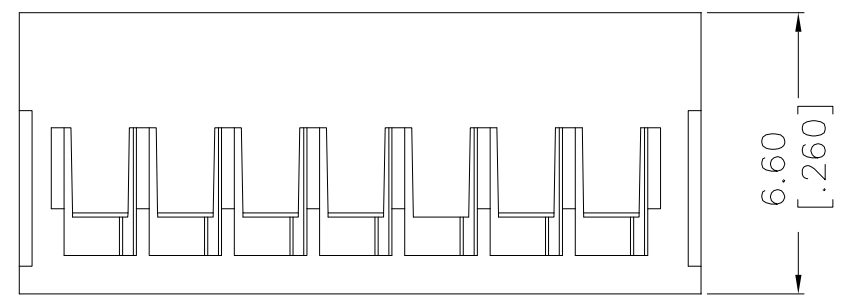
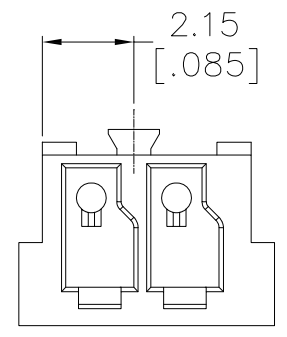


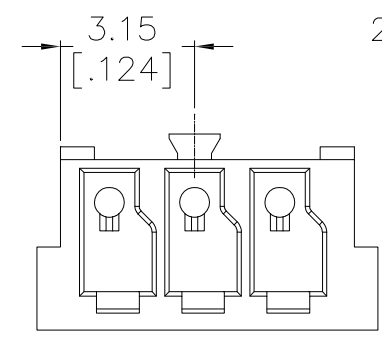
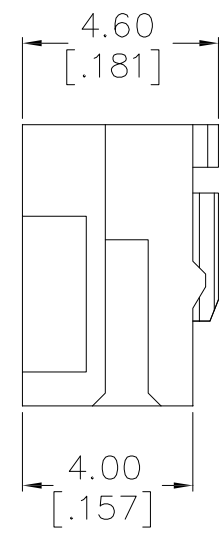
5-15P



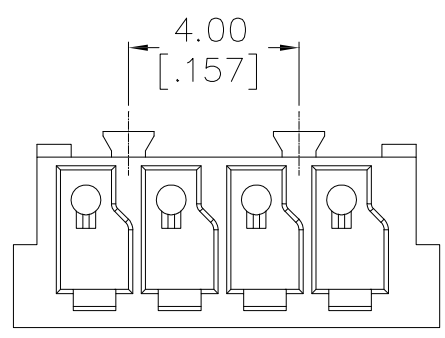
RoHS Compliant



2P



3P



4P

SPECIFICATIONS

Current Rate: 2A
 Insulation Resistance: 1000MΩ min.
 Contact Resistance: 20mΩ Max.
 Dielectric Voltage: 800V AC for 1 minute
 Operation Temperature: -25°C ~ +85°C

MATERIAL

Insulator: PA66 ,UL94V-0 White

Ordering Information

HG XX WF26 B -131

2.0Ph Housing PIN No. B: Bag Packing

15	30.90	28.00	28.00	26.00
14	28.90	26.00	26.00	24.00
13	26.90	24.00	24.00	22.00
12	24.90	22.00	22.00	20.00
11	22.90	20.00	20.00	18.00
10	20.90	18.00	18.00	16.00
9	18.90	16.00	16.00	14.00
8	16.90	14.00	14.00	12.00
7	14.90	12.00	12.00	10.00
6	12.90	10.00	10.00	8.00
5	10.90	8.00	8.00	6.00
4	8.90	6.00	6.00	4.00
3	6.90	4.00	4.00	
2	4.90	2.00	2.00	
Pin No.	A	B	C	D

REV.	REVISION RECORD	DATE	General Tolerance	
A	Original	04/14/22"	LINEAR 0.0 ±0.25	ANGLE ±3°
			0.00 ±0.20	
			⊕	UNIT:mm
			A4	NAME
			APPROVED	KENNY
			CHECKED	GRACE
			DESIGNER	WAYFON

ARIBA TECHNOLOGY CO., LTD.

TITLE: 2.0mm Pitch Housing 6.6L
 DWG.NO: HGXXWF26B-131 REV. A
 SCALE 1 : 1 SHEET 1 OF 1