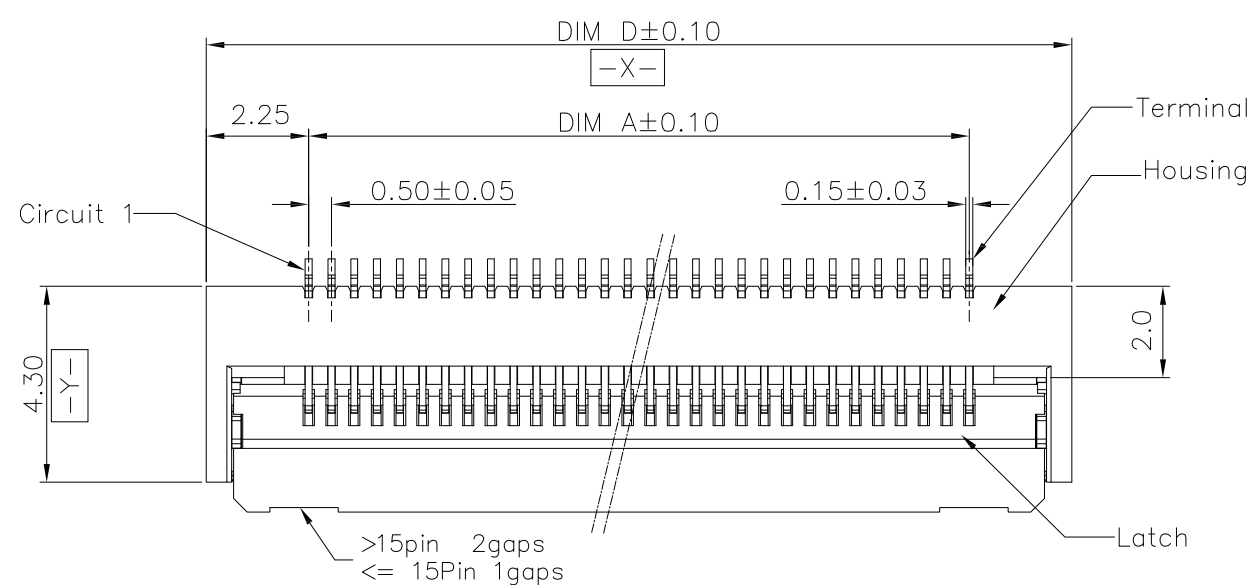


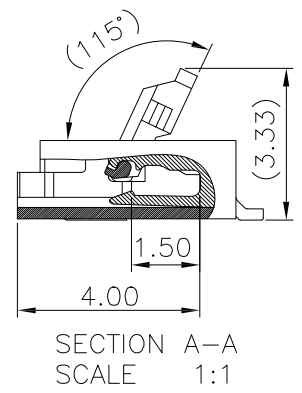
1 2 3 4 5 6 7 8

Pin	DIM A	DIM B	DIM C	DIM D
6	2.50	5.67	3.57	7.00
30	14.50	17.67	15.57	19.00
40	19.50	22.67	20.57	24.00
50	24.50	27.67	25.57	29.00

A



RoHS Compliant

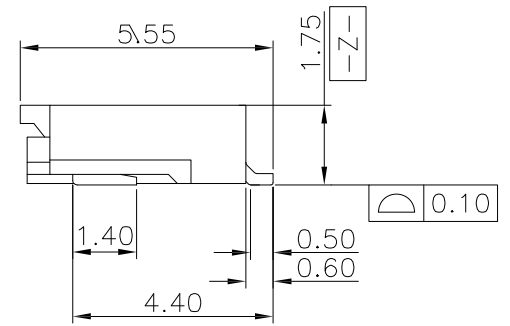
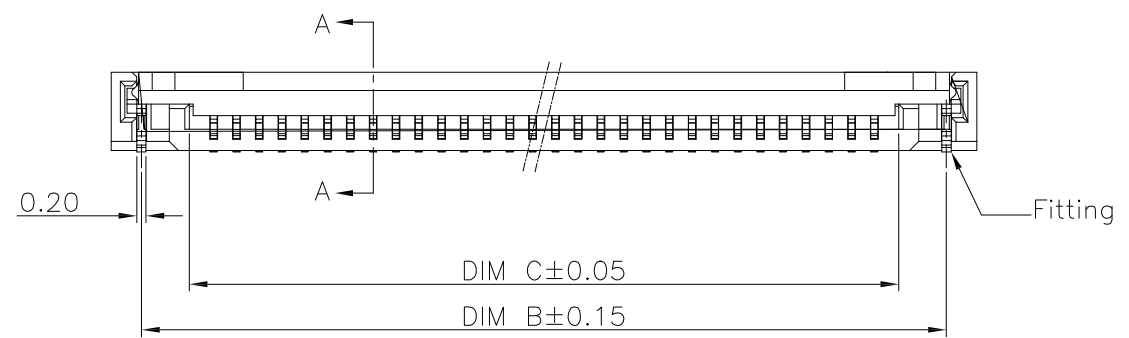


- Note:
- Material:
 - Housing: Thermoplastic High Temp.UL94V-0
 - Color: Natural.
 - Latch: Thermoplastic High Temp.UL94V-0
 - Color: Black.
 - Terminal: Copper Alloy.
 - Fitting Nail: Copper Alloy.
 - Finish:
 - Terminal: Gold Plated.
 - Fitting Nail: Tin Plated.
 - Electrical Characteristics:
 - Current rating: 0.4A AC/DC
 - Voltage rating: 50V AC/DC
 - Temperature range: -25°C~+85°C
 - Withstand Voltage: 200V AC/Minute
 - Initial Contact Resistance: 20mΩ max.
 - Insulation Resistance: 500MΩ
 - Relative Humidity: 90%

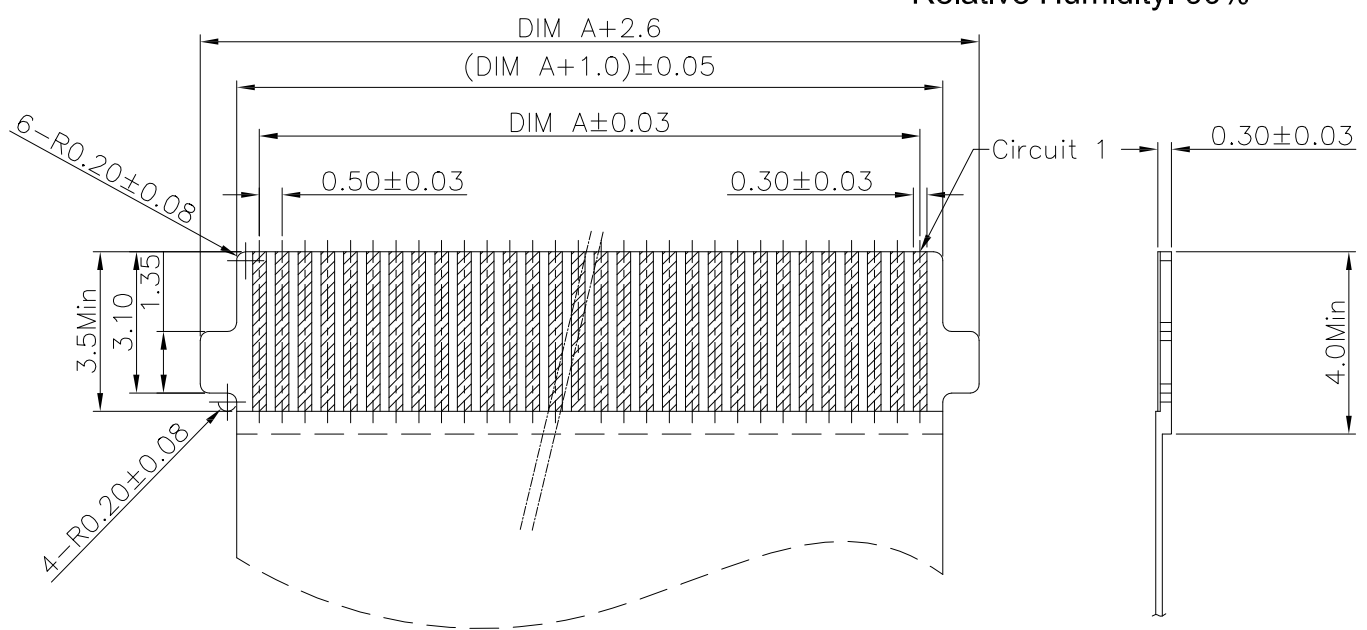
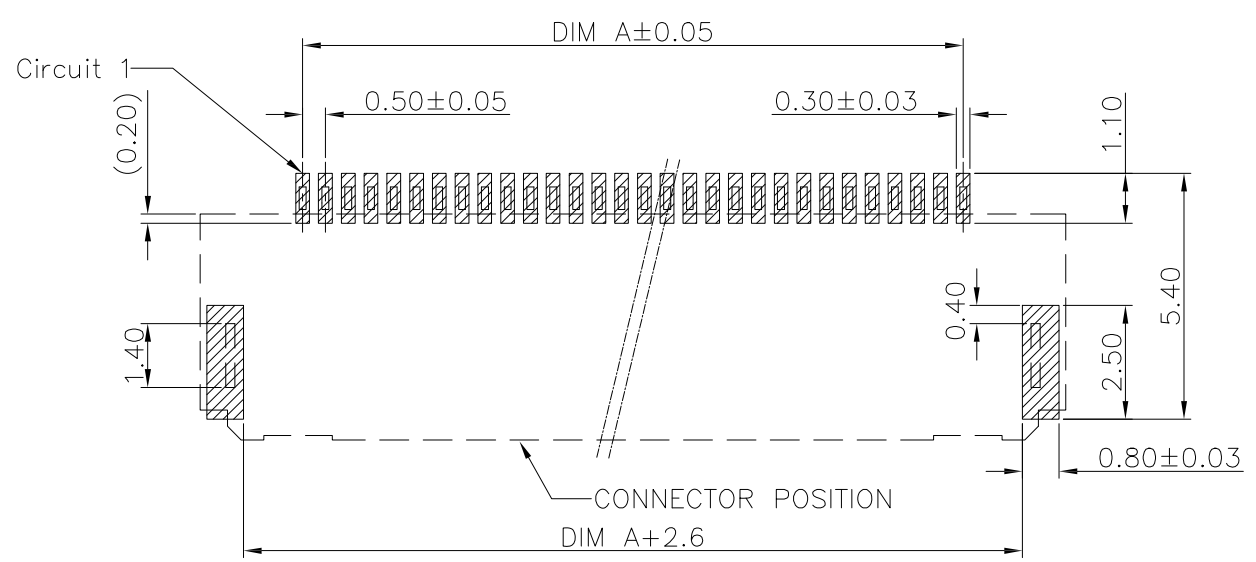
B

C

D



E



F

G

RECOMMENDED P.C.B PATTERN LAYOUT

RECOMMENDED FPC/FFC DIMENSION

ORDER INFORMATION

SERIES NO.	Pin No.	PLATED	PACKING	
802B	XX	G1	2	41
0.5mm Pitch ZIF FPC RA SMT Easy-on 1.75H conn.				
06~50 PIN G1: Gold Flash 2: Tape&Reel				

REV.	REVISION RECORD	DATE	General Tolerance	
A	Original	10/18/18"	LINEAR 0.0 ± 0.35	ANGLE ± 3°
			0.00 ± 0.20	
			UNIT:mm	
			A4	NAME DATE
			APPROVED	SUNNY
			DESIGNER	TED
			DRAWN	WING



TITLE: 0.5mm Pitch ZIF FPC SMT RA Easy-on 1.75H Bottom Contact Type			
DWG.NO: 802BXXG12-41		REV. A	
SCALE	1 : 1	SHEET	1 OF 1

H

1 2 3 4 5 6 7 8